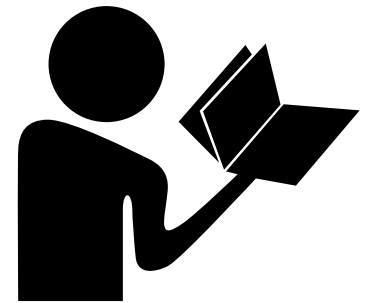
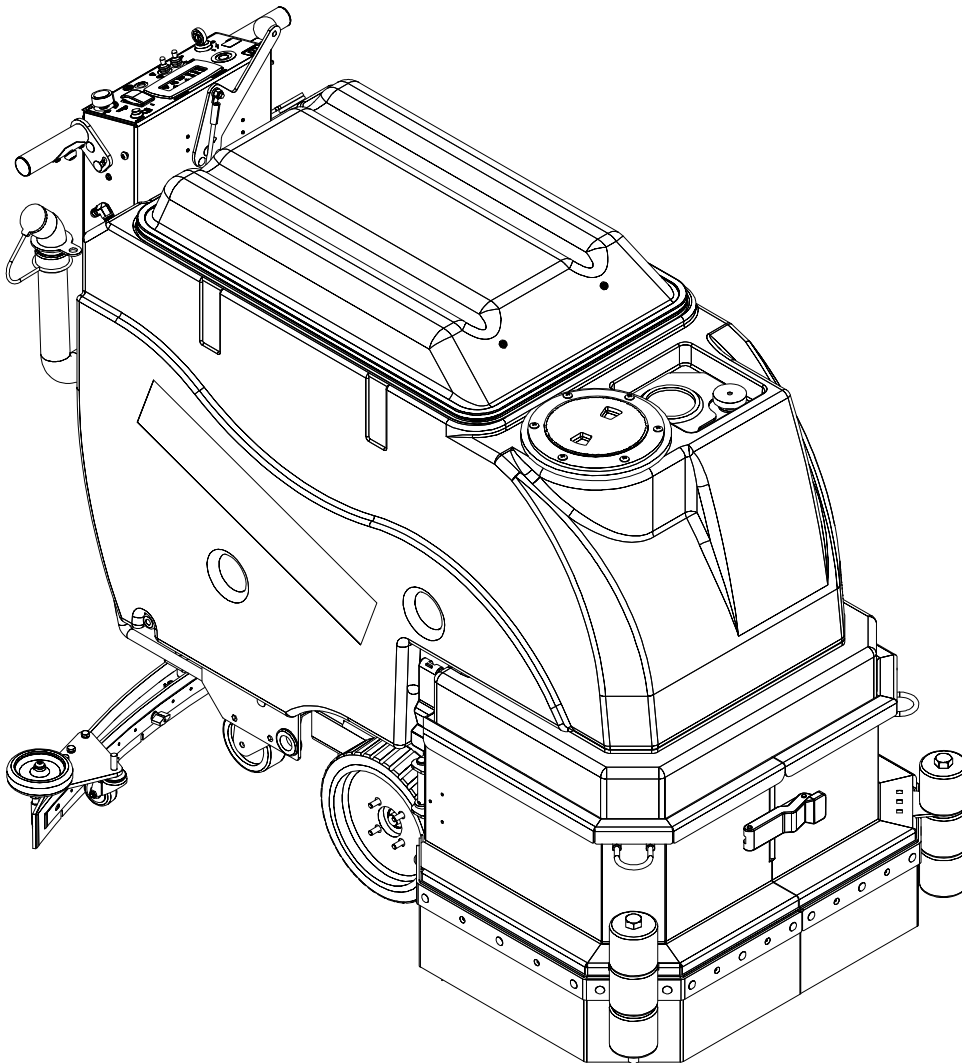


TOMCAT[®]

CARBON

Parts Manual (EN)



Read Operation Instructions
before using the machine.



Read the Safety Messages
before using the machine.

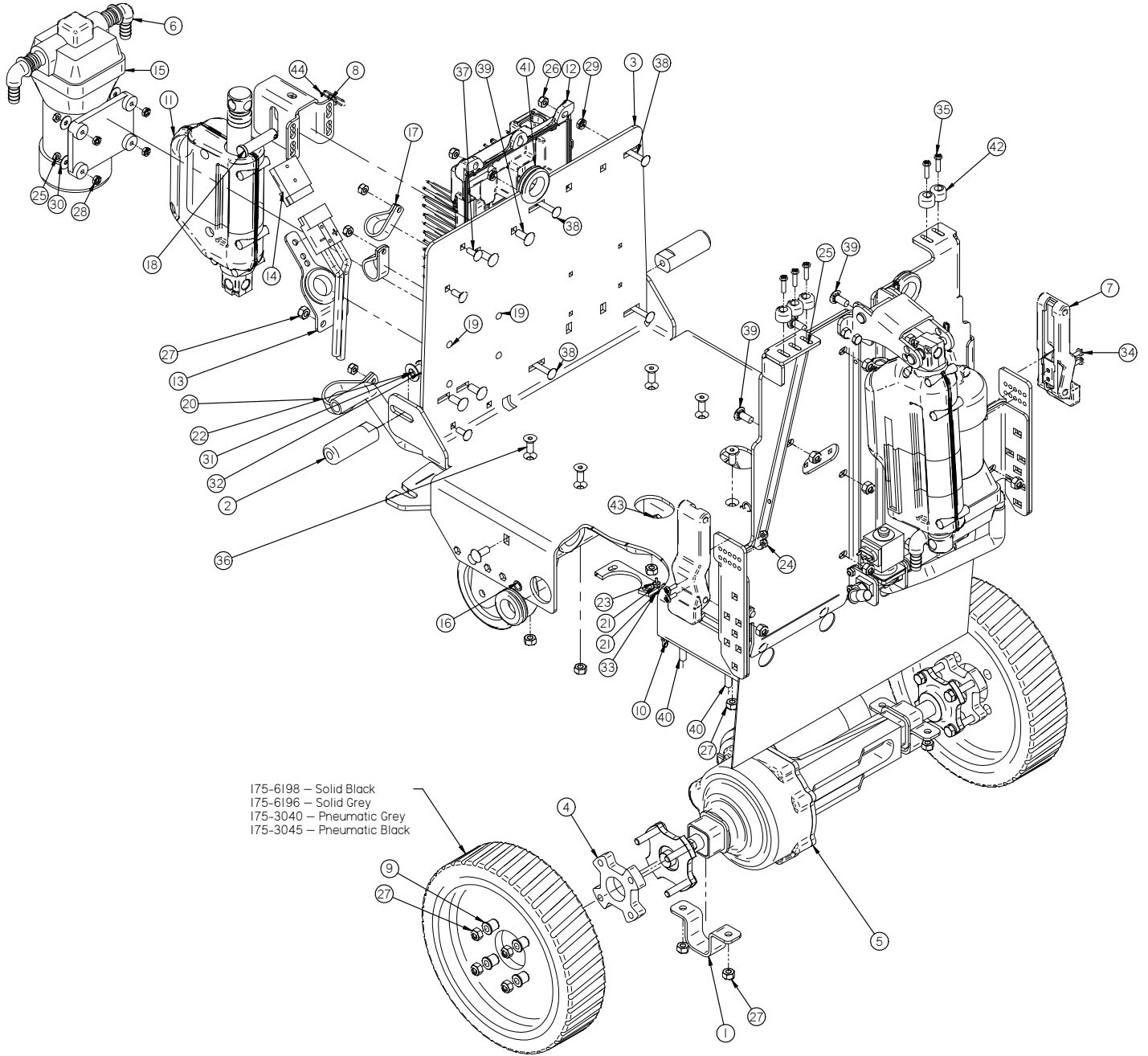
www.tomcatequip.com
1711 South Street
Racine, WI 53404 (USA)
(800) 450-9824 | (+001) 262-681-6470
© 2017 RPS Corporation

Scan With Phone for more Information



V18.295
TC-CARBON-P-EN

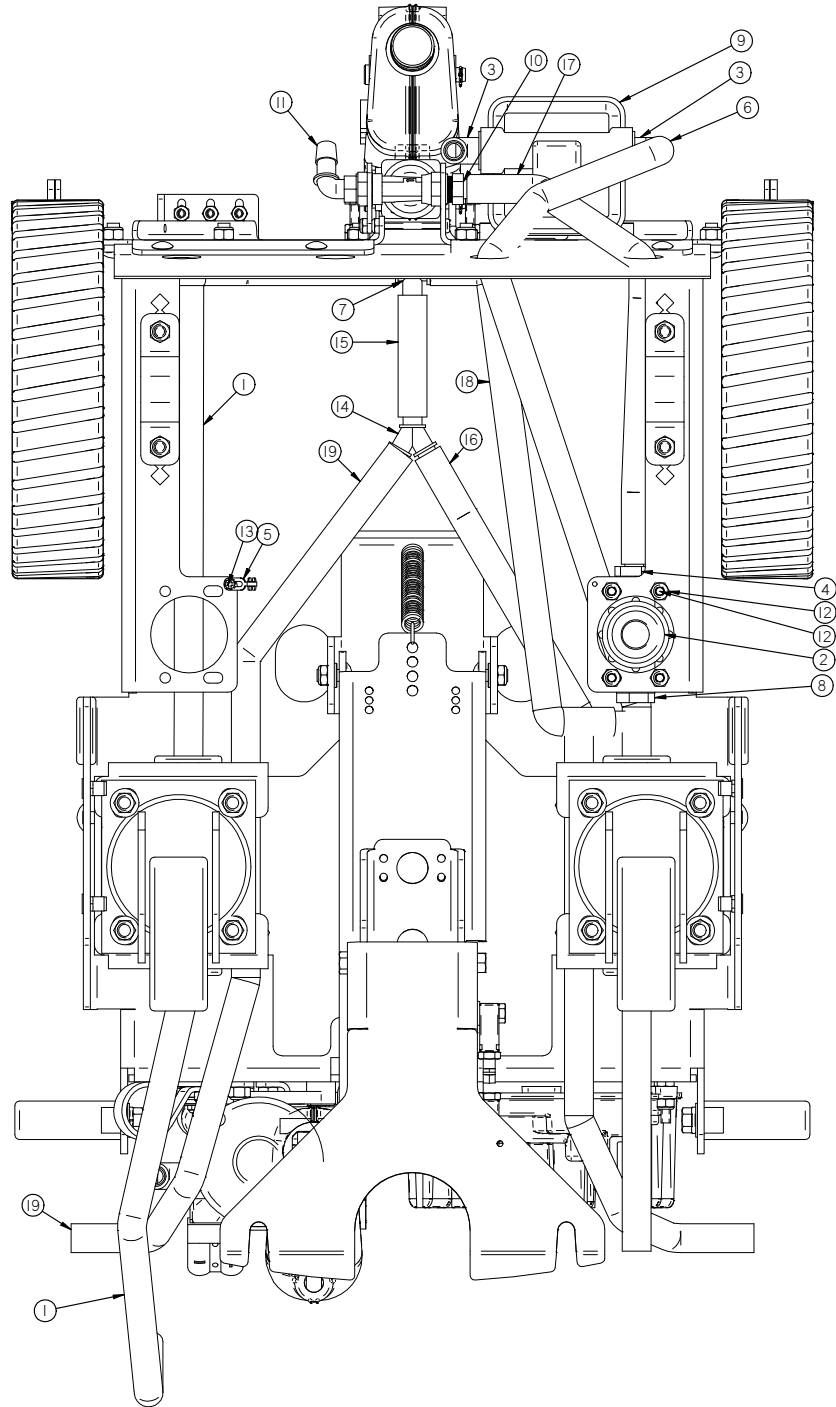
Frame Assembly4
Frame Assembly - Bottom View5
Actuator & Frame Support.....6
Caster Foot Assembly7
Squeegee Drag Link.....8
Squeegees9
26 Inch - 28 Inch Disk Decks for Jaws10
26 Inch - 28 Inch Disk Decks for Shrouds11
Jaws Assembly - Right Side12
Jaws Assembly - Left Side.....13
Disk Shrouds14
25 Inch - 29 Inch Cylindrical Decks15
Cylindrical Door Assembly.....16
24 Inch EDGE Decks.....17
28 Inch EDGE Decks.....18
EDGE Lifting Bracket.....19
Standard XL Tank Assembly.....20
Standard XL Tank - Drain Saver, Vac Box, Baffle Assembly21
Standard XL Tank - Vacuum Bandeau Assembly22
Standard XL Tank - Lid Assembly.....23
Smaller Optional Tank Assembly24
Smaller Optional - Drain Saver, Vac Box, Baffle Assembly25
Smaller Optional - Vacuum Bandeau Assembly26
Smaller Optional - Lid Assembly.....27
Batteries & Chargers28
Central Command Assembly29
ZerO3 Onboard Option Assembly30
ZerO3 Onboard Option Plumbing.....31
Onboard Charger, Spray Jet, & Actuator Lift Option.....32
Off-Aisle Vacuum Wand.....33
Common Wear Parts34
Common Wear Parts35
Tank Stickers36
Central Command Stickers.....37



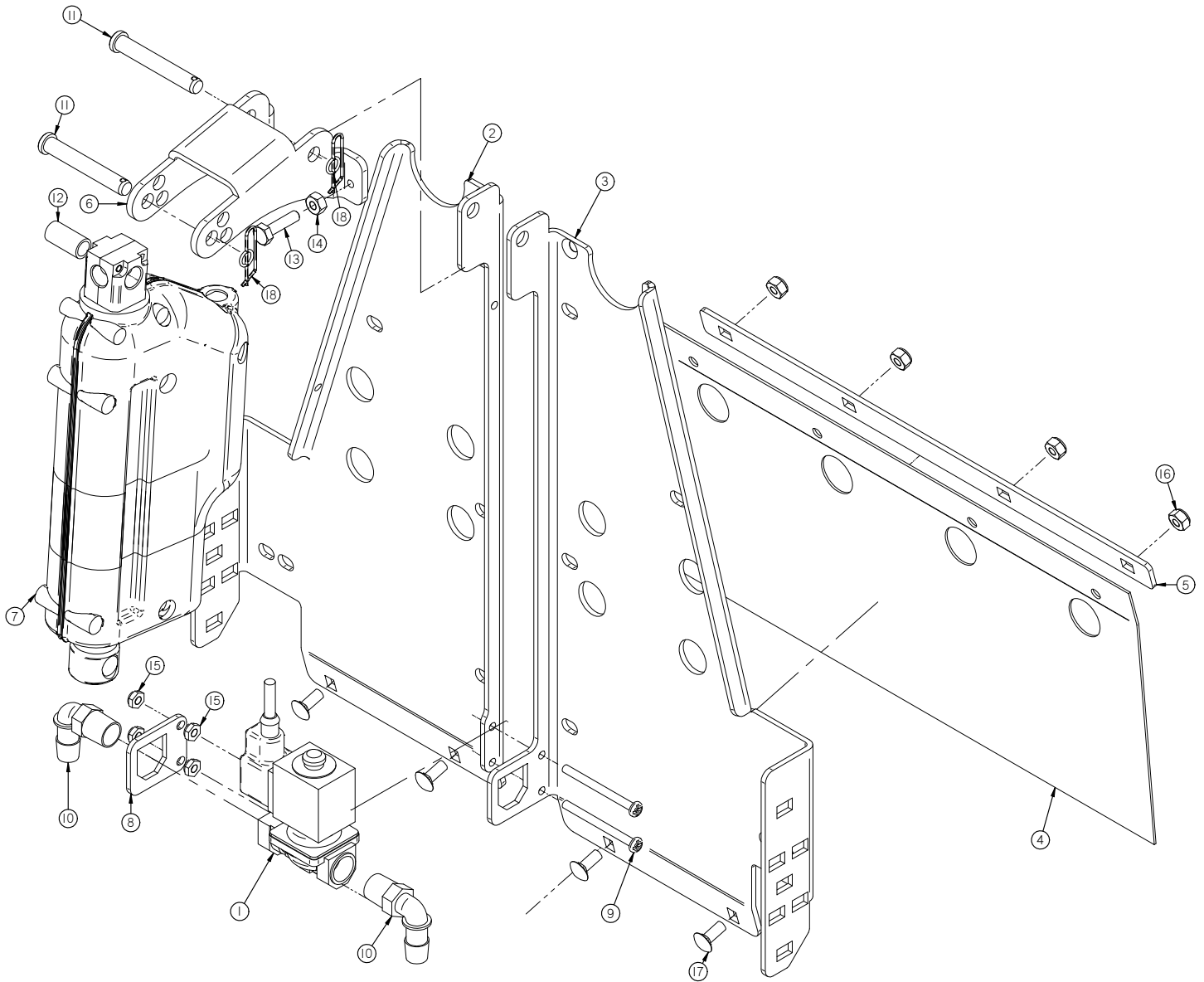
175-6198 - Solid Black
 175-6196 - Solid Grey
 175-3040 - Pneumatic Grey
 175-3045 - Pneumatic Black

Item	Part No.	Part Description	Qty.	Item	Part No.	Part Description	Qty.
1	175-0999	AXLE MOUNT	2	23	H-70855	NYLOK #6-32 SS	1
2	175-1060	2-3/4" BOSS	2	24	H-70856	NYLOK #8-32 SS	4
3	175-1100	MAINFRAME	1	25	H-70858	NYLOK #10-32 SS	17
4	175-3001	PNUMATIC TIRE SPACER	2	26	H-70860	NYLOK 1/4" - 20 SS	11
5	175-3009	TRANSAXLE 19.4:1	1	27	H-70861	NYLOK 5/16" - 18 SS	35
6	21-1601	1/2" BARBED ELBOW (PLASTIC)	4	28	H-70923	KN #10-32 SS	10
7	250-1240	LATCH	2	29	H-70925	KN 1/4-20 S/S	4
8	253-1099	AUTO SQUEEGEE LIFT BRACKET	1	30	H-71010	FW #10 ID X 11/16 OD SS	10
9	253-1245	BUSHING	8	31	H-71017	FW 3/8 ID X 7/8 OD SS	2
10	253-1618	GROUNDING CHAIN, 12"	1	32	H-71067	LW 3/8" SS	2
11	253-2240	2" STROKE 24V ACTUATOR 450 LB LOAD	1	33	H-72388	PPH #6-32 X 3/4" SS	1
12	264-2440	ONBOARD CHARGER	1	34	H-72398	PPH #8-32 X 1/2" S/S	4
13	264-9516	CHARGER CONECTOR BRACKET	1	35	H-72416	PPHMS #10-32 X 3/4" S/S	5
14	4-259	CONNECTOR, RED 50, HOUSING ONLY	2	36	H-73907	FHSCS 5/16" - 18 X 3/4" SS	5
15	5-891	PUMP, WATER JET	2	37	H-74418	CB 1/4" - 20 X 5/8" S/S	3
16	H-00918	HCN 1/4"-20 LG	4	38	H-74421	CB 1/4" - 20 X 1-1/4" SS	4
17	H-0127295	RUBBER LOOP CLAMP, 3/4"	2	39	H-74429	CB 5/16" - 18 X 3/4" SS	20
18	H-0156771	CLEVIS PIN, 1/2" OD X 2" LG	1	40	H-74430	CB 5/16" - 18 X 1" SS	4
19	H-0172522	CB #10-32 X 1-1/4" SS	8	41	H-9307K74	GROMMET, 1" ID X 1-3/4" OD BUNA-N	5
20	H-3225T	RUBBER LOOP CLAMP, 1-1/2"	1	42	H-9540	RUBBER BUMPER, 25/32"	5
21	H-33733	#6 STAR WASHER	2	43	H-NJ05C	JNYL 5/16"- 18 SS	2
22	H-70105	HCS 3/8"- 16 X 1" SS	2	44	H-RUE22	1/2" RUE RING COTTER	1

Frame Assembly - Bottom View



Item	Part No.	Part Description	Qty.
1	175-1370	SIGHT TUBE	1
2	175-9130	INLINE FILTER	1
3	21-1601	1/2" BARBED ELBOW (PLASTIC)	2
4	21-1606	1/2 MALE NPT X 1/2" BARB	1
5	253-1618	GROUNDING CHAIN, 12"	1
6	290-8960	SPRAY JET HOSE	1
7	5-446	1/2 " PLASTIC BARB TEE	1
8	5-447	1/2 NPT X 1/2" BARB ELBOW	1
9	5-891	PUMP, WATER JET	1
10	H-04763	.375 NPT X .50 BARB	1
11	H-04763	ELBOW, 90 DEG X 3/8" MNPT X 1/2" BARB, NYLON	1
12	H-70860	NYLOK 1/4"- 20 SS	1
13	H-72388	PPH #6-32 X 3/4" SS	1
14	M-5463K727	WYE, 1/2", NYLON	1
15	T-050R0250	1/2"ID X 27"LG SOLUTION HOSE	1
16	T-050R3600	SOLUTION HOSE	1
17	T-050R3600	SOLUTION HOSE	1
18	T-050R3600	SOLUTION HOSE	1
19	T-050R3600	SOLUTION HOSE	1

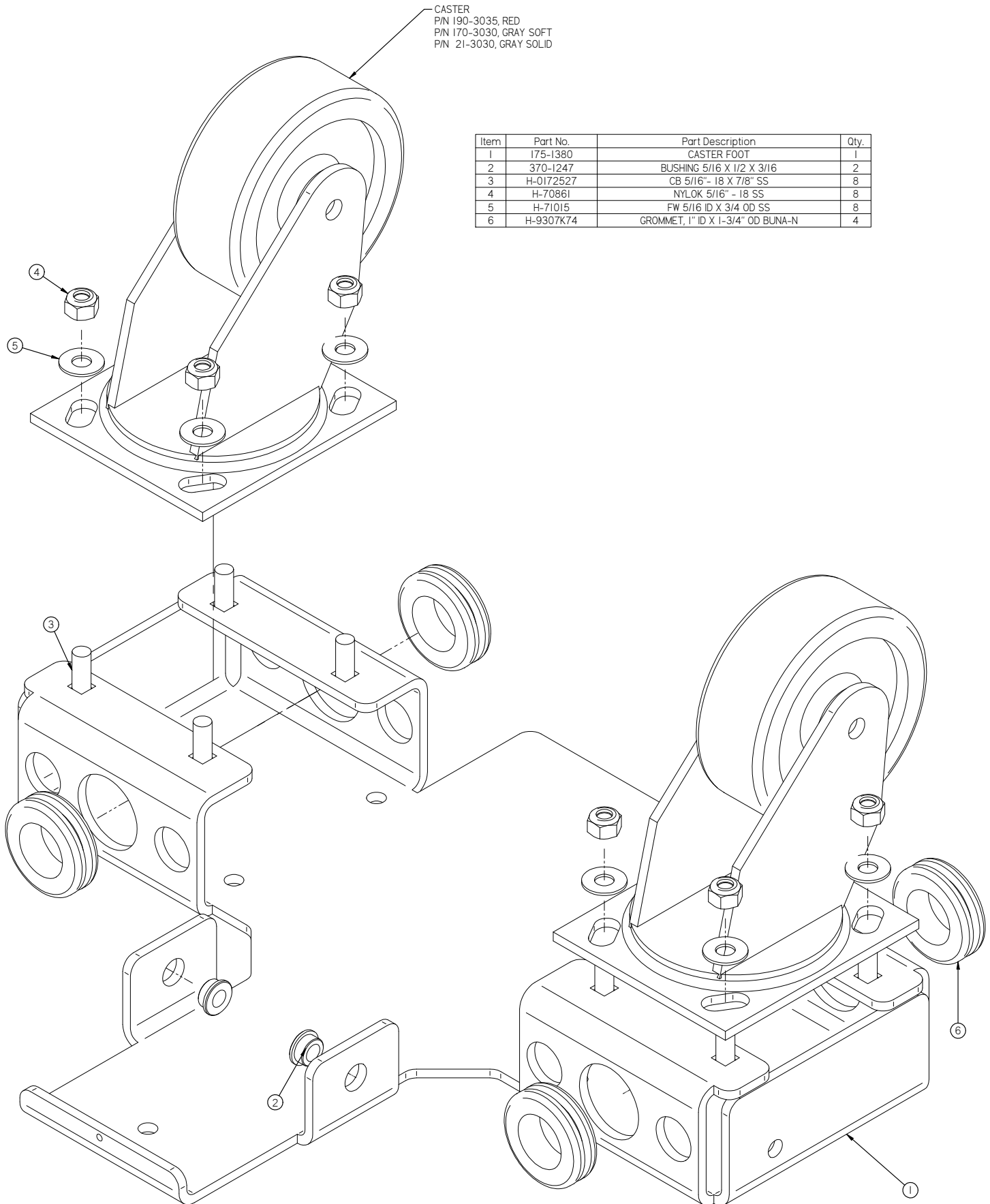


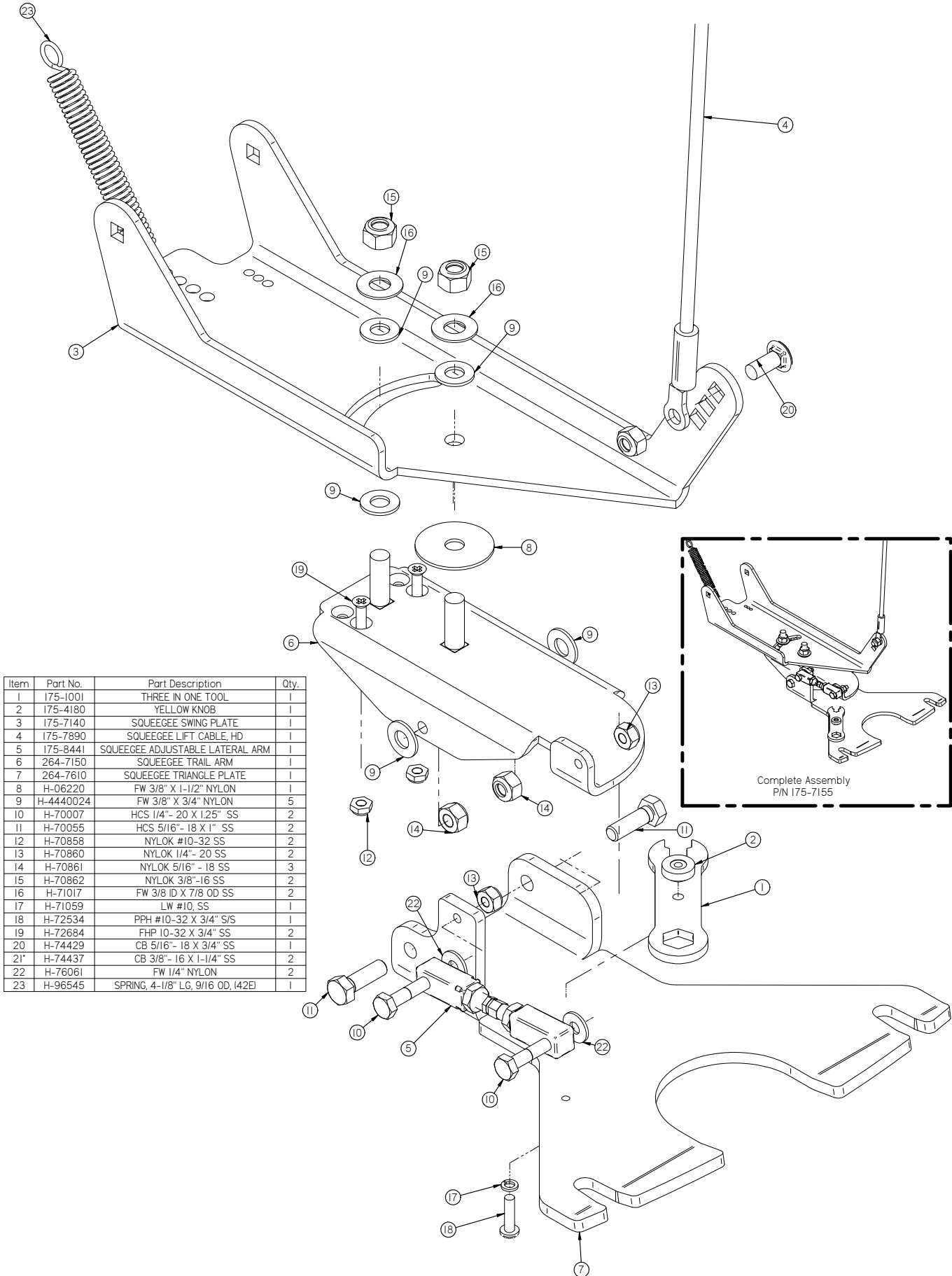
Item	Part No.	Part Description	Qty.
1	170-4500	VALVE	1
2	175-1011L	LEFT LIFT ARM SUPPORT BRACKET	1
3	175-1011R	RIGHT LIFT ARM SUPPORT BRACKET	1
4	175-1015	FRAME CURTAIN	1
5	175-1020	BAND, FRAME CURTAIN	1
6	264-1151	ACTUATOR ARM	1
7	264-2210	4" STROKE 24V ACTUATOR 1000 LB LOAD	1
8	264-5280	VALVE BRACKET	1
9	H-00249	PPH #10-32 X 2 1/4" SS	2
10	H-04763	ELBOW, 90 DEG X 3/8" MNPT X 1/2" BARB, NYLON	2
11	H-15675	CLEVIS PIN, 3/8" X 2-1/2"	2
12	H-63917	SLEEVE, .50 OD X .375 ID X 1.0 LG	1
13	H-70005	HCS 1/4"- 20 X 1" SS	2
14	H-70710	HN 1/4"- 20 SS	2
15	H-70858	NYLOK #10-32 SS	4
16	H-70860	NYLOK 1/4"- 20 SS	4
17	H-74418	CB 1/4"- 20 X 5/8" S/S	4
18	H-RUE14	3/8" RUE RING COTTER	2

Caster Foot Assembly

CASTER
 P/N 190-3035, RED
 P/N 170-3030, GRAY SOFT
 P/N 21-3030, GRAY SOLID

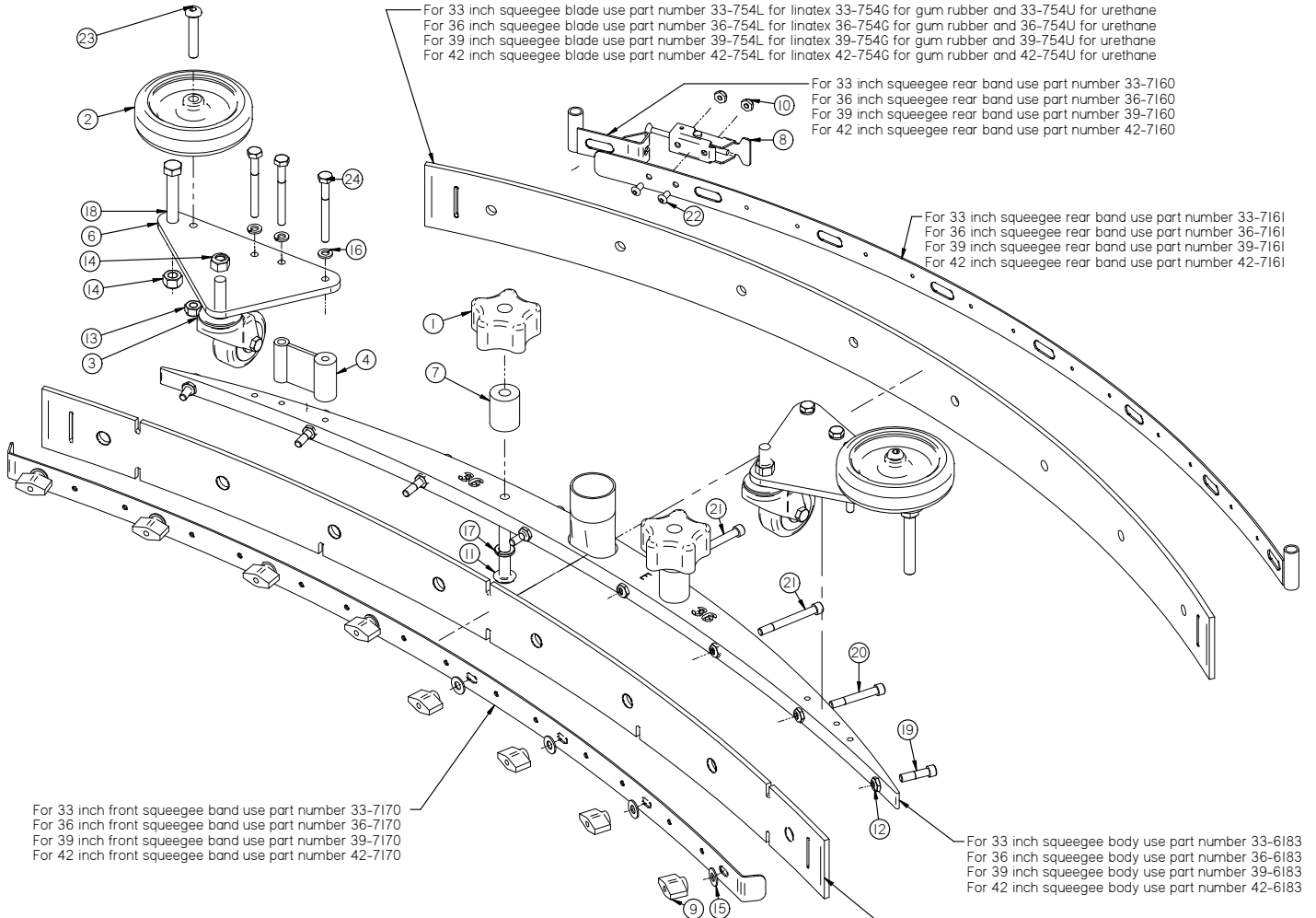
Item	Part No.	Part Description	Qty.
1	175-1380	CASTER FOOT	1
2	370-1247	BUSHING 5/16 X 1/2 X 3/16	2
3	H-0172527	CB 5/16" - 18 X 7/8" SS	8
4	H-70861	NYLOK 5/16" - 18 SS	8
5	H-71015	FW 5/16 ID X 3/4 OD SS	8
6	H-9307K74	GROMMET, 1" ID X 1-3/4" OD BUNA-N	4



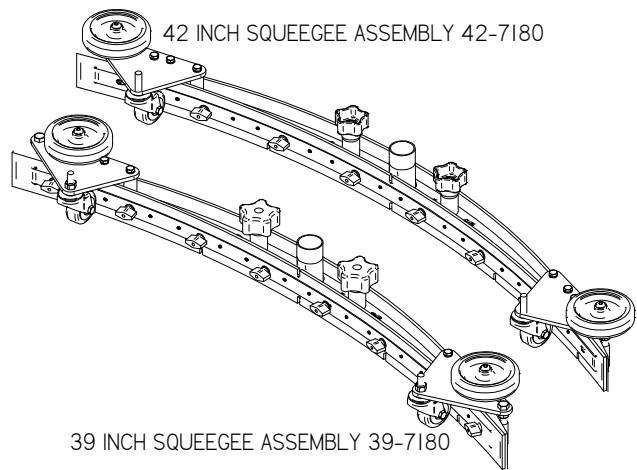
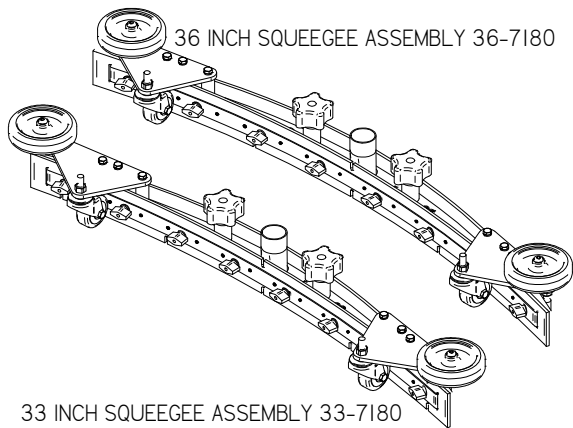


Item	Part No.	Part Description	Qty.
1	175-1001	THREE IN ONE TOOL	1
2	175-4180	YELLOW KNOB	1
3	175-7140	SQUEEGEE SWING PLATE	1
4	175-7890	SQUEEGEE LIFT CABLE, HD	1
5	175-8441	SQUEEGEE ADJUSTABLE LATERAL ARM	1
6	264-7150	SQUEEGEE TRAIL ARM	1
7	264-7610	SQUEEGEE TRIANGLE PLATE	1
8	H-06220	FW 3/8" X 1-1/2" NYLON	1
9	H-4440024	FW 3/8" X 3/4" NYLON	5
10	H-70007	HCS 1/4"- 20 X 1.25" SS	2
11	H-70055	HCS 5/16"- 18 X 1" SS	2
12	H-70858	NYLOK #10-32 SS	2
13	H-70860	NYLOK 1/4"- 20 SS	2
14	H-70861	NYLOK 5/16" - 18 SS	3
15	H-70862	NYLOK 3/8"-16 SS	2
16	H-71017	FW 3/8 ID X 7/8 OD SS	2
17	H-71059	LW #10, SS	1
18	H-72534	PPH #10-32 X 3/4" S/S	1
19	H-72684	FHP 10-32 X 3/4" SS	2
20	H-74429	CB 5/16"- 18 X 3/4" SS	1
21	H-74437	CB 3/8"- 16 X 1-1/4" SS	2
22	H-76061	FW 1/4" NYLON	2
23	H-96545	SPRING, 4-1/8" LG, 9/16 OD, 142EJ	1

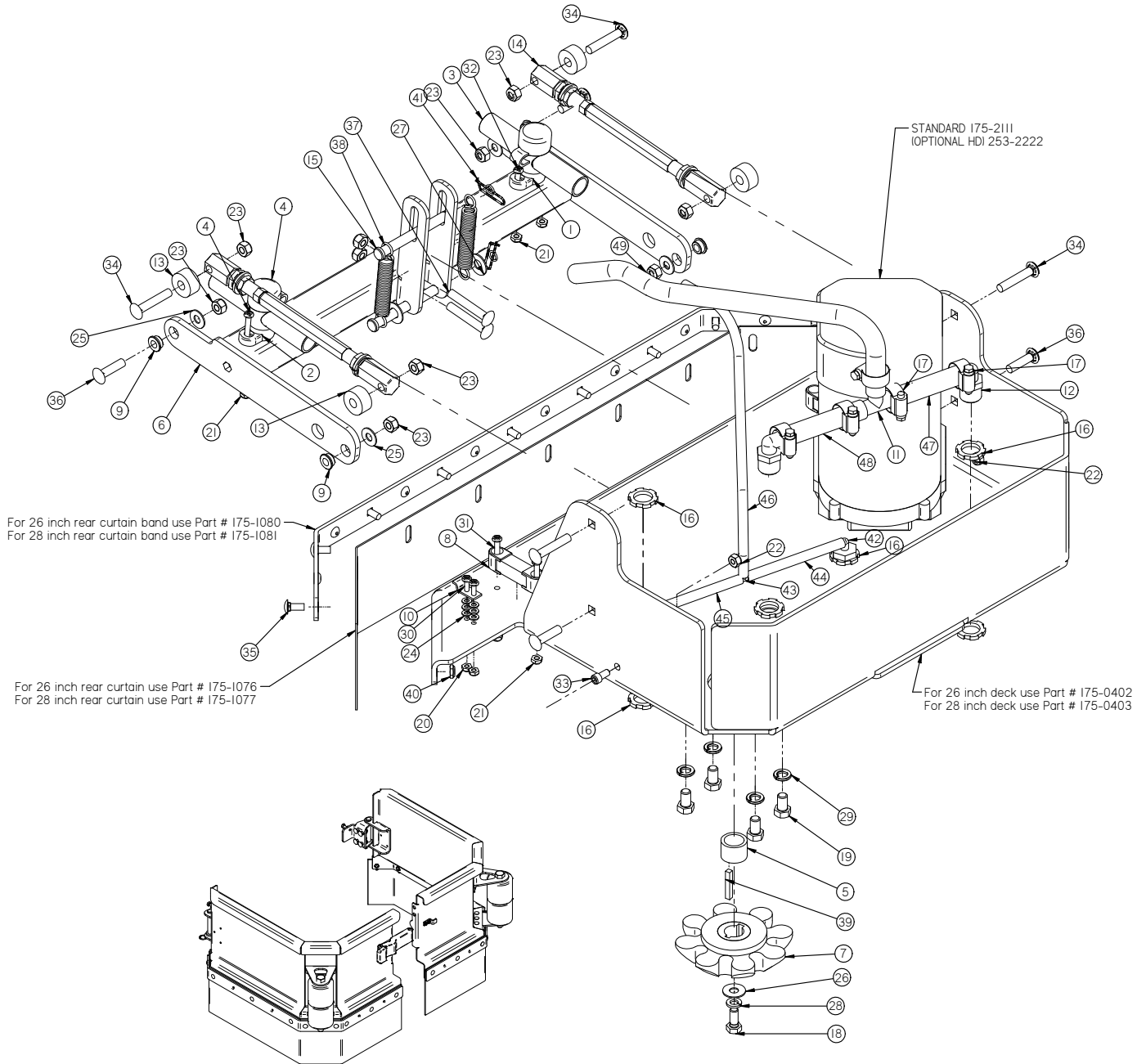
Squeegees



Item	Part No.	Part Description	Qty.	Item	Part No.	Part Description	Qty.
1	150-5786	STAR KNOB, 3/8-16 THREAD	2	13	H-70861	NYLOK 5/16" - 18 SS	2
2	150-7600	4" SIDE WHEEL (GREY)	2	14	H-70862	NYLOK 3/8"-16 SS	4
3	253-7570	CASTER	2	15	H-71013	FW 1/4 ID X 5/8 OD SS	8
4	36-0007	BAND BRACKET HOLDER	2	16	H-71063	LW 1/4" SS	6
5	36-2211	SPACER 1/2 OD X 5/32" LG X.25 ID	6	17	H-71067	LW 3/8" SS	2
6	36-7183	SQUEEGE CASTER BRACKET	2	18	H-71191	HCS 3/8"- 16 X 3" SS	2
7	36-8460	STANDOFF, 1.5"	2	19	H-73462	SHCS 1/4-20 X 1.0 SS	2
8	370-0124	LATCH	1	20	H-73465	SHCS 1/4-20 X 1.75 SS	2
9	5-418A	CLAMPING KNOB	8	21	H-73467	SHCS 1/4-20 X 2.25 SS	4
10	H-0129155	JNYL #10-32, 18-8 S/S	2	22	H-73742	BHSCS 10-32 X 3/8" SS	2
11	H-0171299	BHSCS 3/8"- 16 X 3" SS	2	23	H-73783	BHSCS 5/16-18 X 1.75	2
12	H-37020	JNYL 1/4" - 20	8	24	H-77013	HCS 1/4"- 20 X 2.5" SS	6

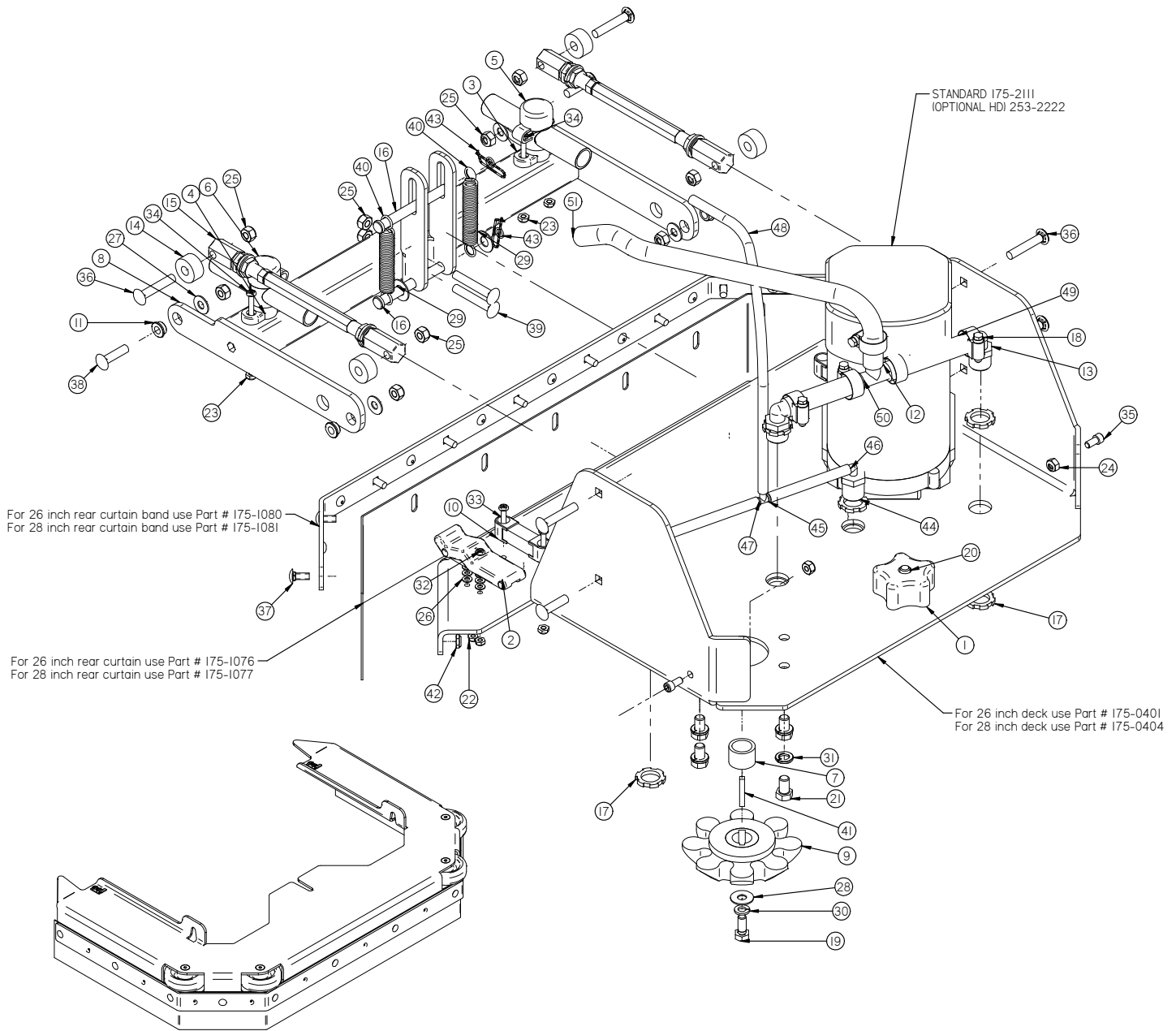


26 Inch - 28 Inch Disk Decks for Jaws

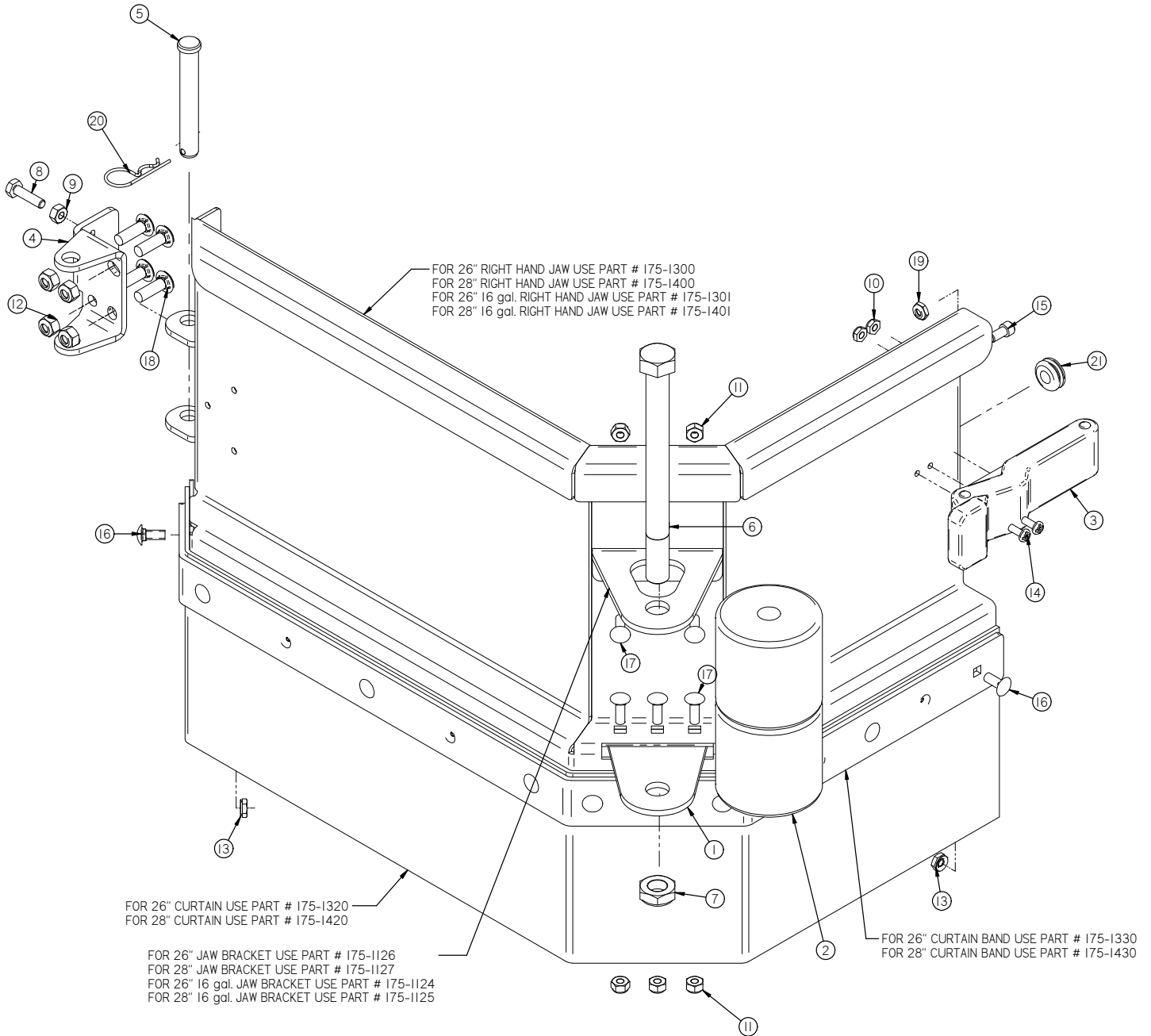


Item	Part No.	Part Description	Qty.	Item	Part No.	Part Description	Qty.
1	175-2700	NEG INSULATOR POST (BLACK)	1	25	H-71015	FW 5/16 ID X 3/4 OD SS	4
2	175-2710	POS INSULATOR POST (RED)	1	26	H-71016	FW 5/16 ID X 7/8 OD SS	2
3	175-2780	BLACK INSULATOR BOOT	1	27	H-71017	FW 3/8 ID X 7/8 OD SS	2
4	175-2790	RED INSULATOR BOOT	1	28	H-71065	LW 5/16" SS	2
5	175-5005	DRIVER SPACER	2	29	H-71067	LW 3/8" SS	8
6	175-9586	SCRUBDECK LIFT ARM, DISK/EDGE	1	30	H-72399	PPH #8-32 X 5/8" S/S	4
7	264-5003	BRUSH DRIVER ROUNDED TOOTH	2	31	H-72534	PPH #10-32 X 3/4" S/S	4
8	300-4030	LEVEL	2	32	H-72556	PPH #10-32 X 2" SS	4
9	370-1247	BUSHING 5/16 X 1/2 X 3/16	4	33	H-73459	SHCS 1/4-20 X 1/2 SS	2
10	4-124	CLIP LATCH	2	34	H-74401	CB 5/16"- 18 X 1-3/4" SS	4
11	5-446	1/2" PLASTIC BARB TEE	1	35	H-74418	CB 1/4"- 20 X 5/8" S/S	9
12	5-447	1/2 NPT X 1/2" BARB ELBOW	2	36	H-74431	CB 5/16"- 18 X 1-1/4" SS	4
13	8-618	SPACER	4	37	H-74433	CB 5/16"- 18 X 2" SS	2
14	9-25	9.25" ADJUSTABLE LATERAL ARM	2	38	H-96544	SPRING, 4-1/8" LG X 9/16" OD (42E)	2
15	H-0156758	3/8" X 3-1/2" CLEVIS PIN	2	39	H-K14320	3/16" X 1 1/4" KEY	2
16	H-07005	1/2" NPT LOCKNUT	8	40	H-NJ04C	JNYL 1/4" - 20 SS	9
17	H-081	CLAMP 1.0"- 1-1/8" SS	5	41	H-RUE14	3/8" RUE RING COTTER	2
18	H-70053	HCS 5/16"- 18 X 3/4" SS	2	42	M-5463K494	1/2 NPT X 1/4" BARB ELBOW	2
19	H-70140	HCS 3/8"-24 X 5/8" SS	8	43	M-5463K606	1/4" X 1/4" PLASTIC BARBED TEE	1
20	H-70856	NYLOK #8-32 SS	4	44	T-025B0425	ZERO HOSE	1
21	H-70858	NYLOK #10-32 SS	8	45	T-025B0425	ZERO HOSE	1
22	H-70860	NYLOK 1/4"- 20 SS	2	46	T-025B1325	ZERO HOSE	1
23	H-70861	NYLOK 5/16"- 18 SS	10	47	T-050R0425	SOLUTION HOSE	1
24	H-71007	FW #8 SS	12	48	T-050R0425	SOLUTION HOSE	1
				49	T-050R1325	SOLUTION HOSE	1

26 Inch - 28 Inch Disk Decks for Shrouds

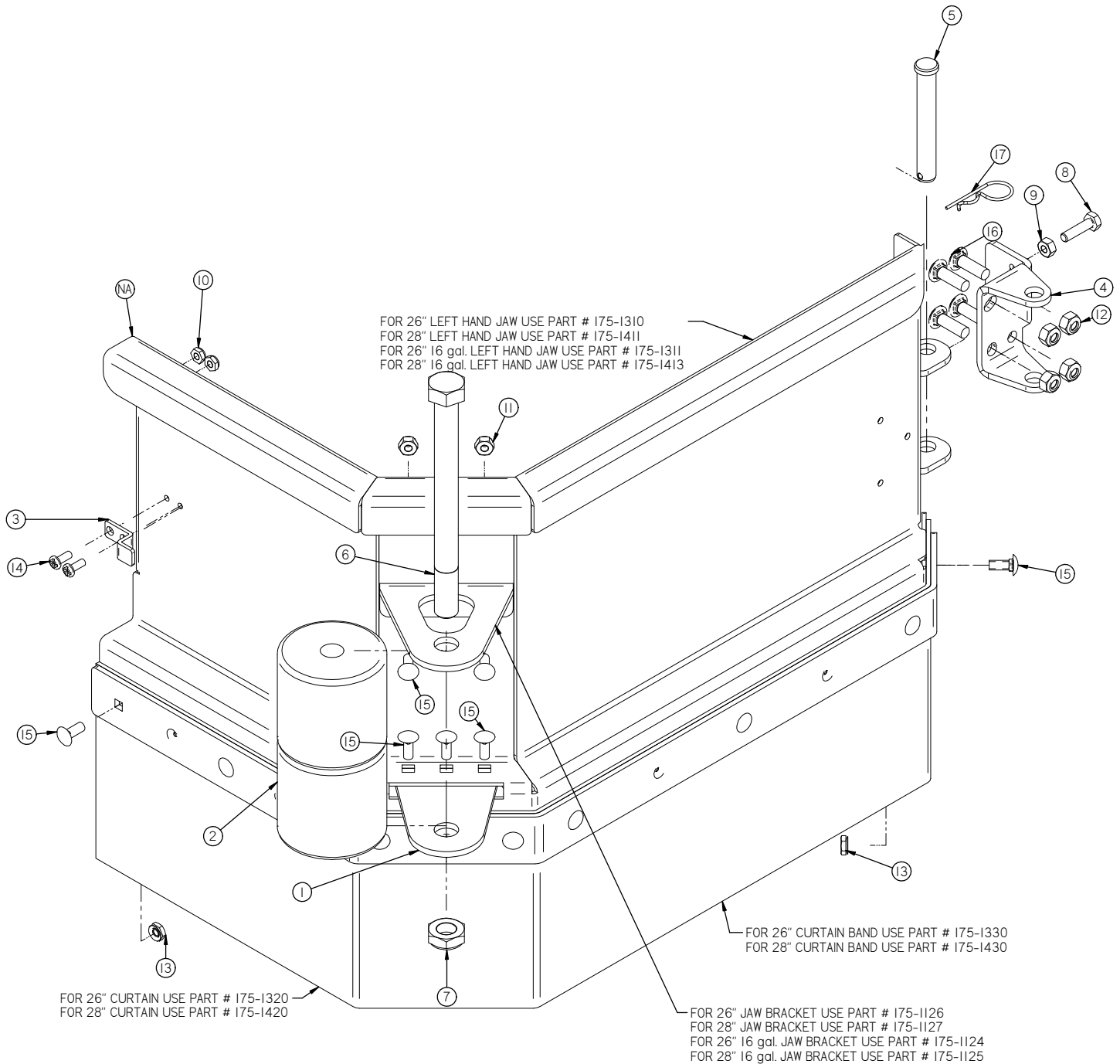


Item	Part No.	Part Description	Qty.	Item	Part No.	Part Description	Qty.
1	150-5786	STAR KNOB, 3/8-16 THREAD	1	26	H-71007	FW #8 SS	12
2	170-1240	LATCH	2	27	H-71015	FW 5/16 ID X 3/4 OD SS	4
3	175-2700	NEG INSULATOR POST (BLACK)	1	28	H-71016	FW 5/16 ID X 7/8 OD SS	2
4	175-2710	POS INSULATOR POST (RED)	1	29	H-71017	FW 3/8 ID X 7/8 OD SS	2
5	175-2780	BLACK INSULATOR BOOT	1	30	H-71065	LW 5/16" SS	2
6	175-2790	RED INSULATOR BOOT	1	31	H-71067	LW 3/8" SS	9
7	175-5005	DRIVER SPACER	2	32	H-72399	PPH #8-32 X 5/8" S/S	4
8	175-9586	SCRUBDECK LIFT ARM, DISK/EDGE	1	33	H-72534	PPH #10-32 X 3/4" S/S	4
9	264-5003	BRUSH DRIVER ROUNDED TOOTH	2	34	H-72556	PPH #10-32 X 2" SS	4
10	300-4030	LEVEL	2	35	H-73459	SHCS 1/4-20 X 1/2 SS	2
11	370-1247	BUSHING 5/16 X 1/2 X 3/16	4	36	H-74401	CB 5/16"- 18 X 1-3/4" SS	4
12	5-446	1/2" PLASTIC BARB TEE	1	37	H-74418	CB 1/4"- 20 X 5/8" S/S	9
13	5-447	1/2 NPT X 1/2" BARB ELBOW	2	38	H-74431	CB 5/16"- 18 X 1-1/4" SS	4
14	8-618	SPACER	4	39	H-74433	CB 5/16"- 18 X 2" SS	2
15	9-25	9.25" ADJUSTABLE LATERAL ARM	2	40	H-96544	SPRING, 4-1/8" LG X 9/16" OD (42EI)	2
16	H-0156758	3/8" X 3-1/2" CLEVIS PIN	2	41	H-K14320	3/16" X 1 1/4" KEY	2
17	H-07005	1/2" NPT LOCKNUT	8	42	H-NJ04C	JNYL 1/4" - 20 SS	9
18	H-081	CLAMP 1.0"- 1-1/8" SS	5	43	H-RUE14	3/8" RUE RING COTTER	2
19	H-70053	HCS 5/16"- 18 X 3/4" SS	2	44	M-5463K494	1/2 NPT X 1/4" BARB ELBOW	2
20	H-70111	HCS 3/8"- 16 X 2" SS	1	45	M-5463K606	1/4" X 1/4" PLASTIC BARBED TEE	1
21	H-70140	HCS 3/8"-24 X 5/8" SS	8	46	T-025B0425	ZERO HOSE	1
22	H-70856	NYLOK #8-32 SS	4	47	T-025B0425	ZERO HOSE	1
23	H-70858	NYLOK #10-32 SS	8	48	T-025B1700	ZERO HOSE	1
24	H-70860	NYLOK 1/4"- 20 SS	2	49	T-050R0425	SOLUTION HOSE	1
25	H-70861	NYLOK 5/16" - 18 SS	10	50	T-050R0425	SOLUTION HOSE	1
				51	T-050R1325	SOLUTION HOSE	1



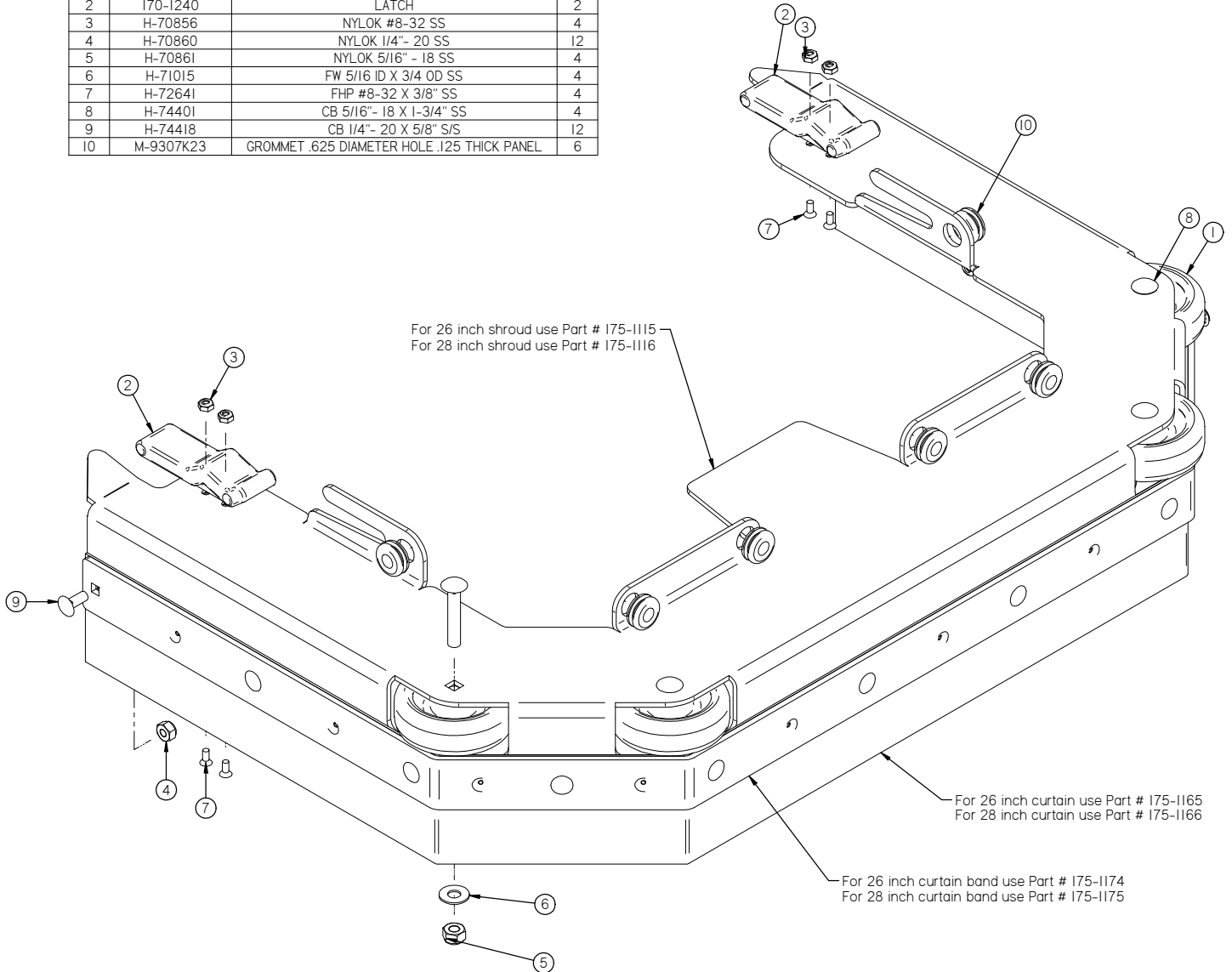
Item	Part No.	Part Description	Qty.
1	175-1128	ROLLER BRACKET	1
2	21-1127	ROLLER	2
3	250-1240	LATCH	1
4	264-1160R	RH JAW HINGE, INNER	1
5	H-0156776	1/2" X 3.5" CLEVIS PIN	1
6	H-13327	HB 5/8"- 11 X 7"	1
7	H-37038	JNYL 5/8"- 11	1
8	H-70005	HCS 1/4"- 20 X 1" SS	1
9	H-70710	HN 1/4"- 20 SS	1
10	H-70858	NYLOK #10-32 SS	2
11	H-70860	NYLOK 1/4"- 20 SS	5
12	H-70861	NYLOK 5/16" - 18 SS	4
13	H-70925	KN 1/4-20 S/S	9
14	H-72515	PPH #10-32 X 1/2" S/S	2
15	H-73459	SHCS 1/4-20 X 1/2 SS	1
16	H-74418	CB 1/4"- 20 X 5/8" S/S	9
17	H-74419	CB 1/4"- 20 X .75" SS	5
18	H-74430	CB 5/16"- 18 X 1" SS	4
19	H-NJ04C	JNYL 1/4" - 20 SS	1
20	M-92391A044	HAIRPIN, 5/16" - 3/8" X 1-7/16" S/S	1
21	M-9307K23	GROMMET .625 DIAMETER HOLE .125 THICK PANEL	1

Jaws Assembly - Left Side

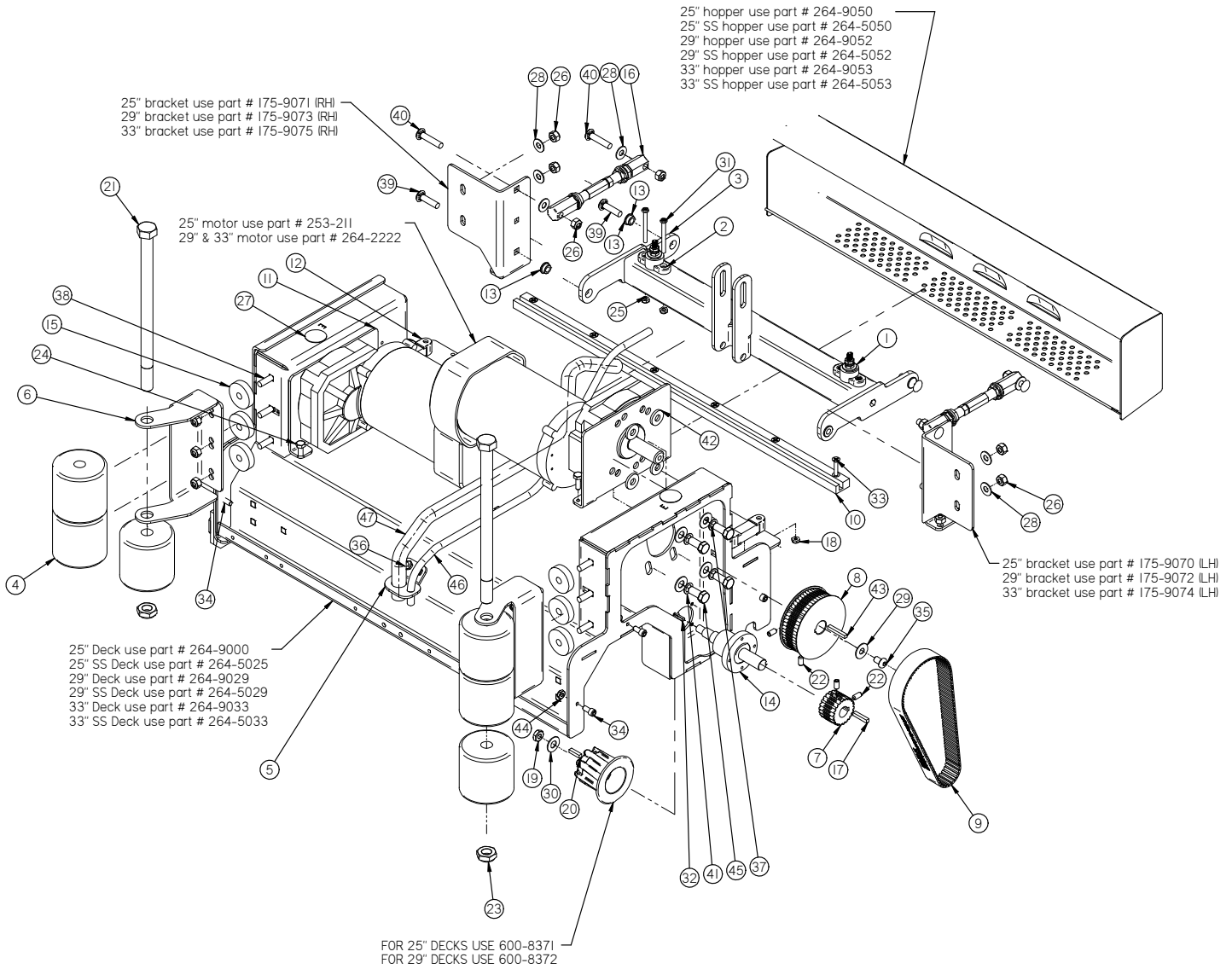


Item	Part No.	Part Description	Qty.
1	175-1128	ROLLER BRACKET	1
2	21-1127	ROLLER	2
3	250-1240	CLIP	1
4	264-1160L	LH JAW HINGE, INNER	1
5	H-0156776	1/2" X 3.5" CLEVIS PIN	1
6	H-13327	HB 5/8" - 11 X 7"	1
7	H-37038	JNYL 5/8" - 11	1
8	H-70005	HCS 1/4" - 20 X 1" SS	1
9	H-70710	HN 1/4" - 20 SS	1
10	H-70858	NYLOK #10-32 SS	2
11	H-70860	NYLOK 1/4" - 20 SS	5
12	H-70861	NYLOK 5/16" - 18 SS	4
13	H-70925	KN 1/4-20 S/S	9
14	H-72515	PPH #10-32 X 1/2" S/S	2
15	H-74418	CB 1/4" - 20 X 5/8" S/S	14
16	H-74430	CB 5/16" - 18 X 1" SS	4
17	M-92391A044	HAIRPIN, 5/16" - 3/8" X 1-7/16" S/S	1

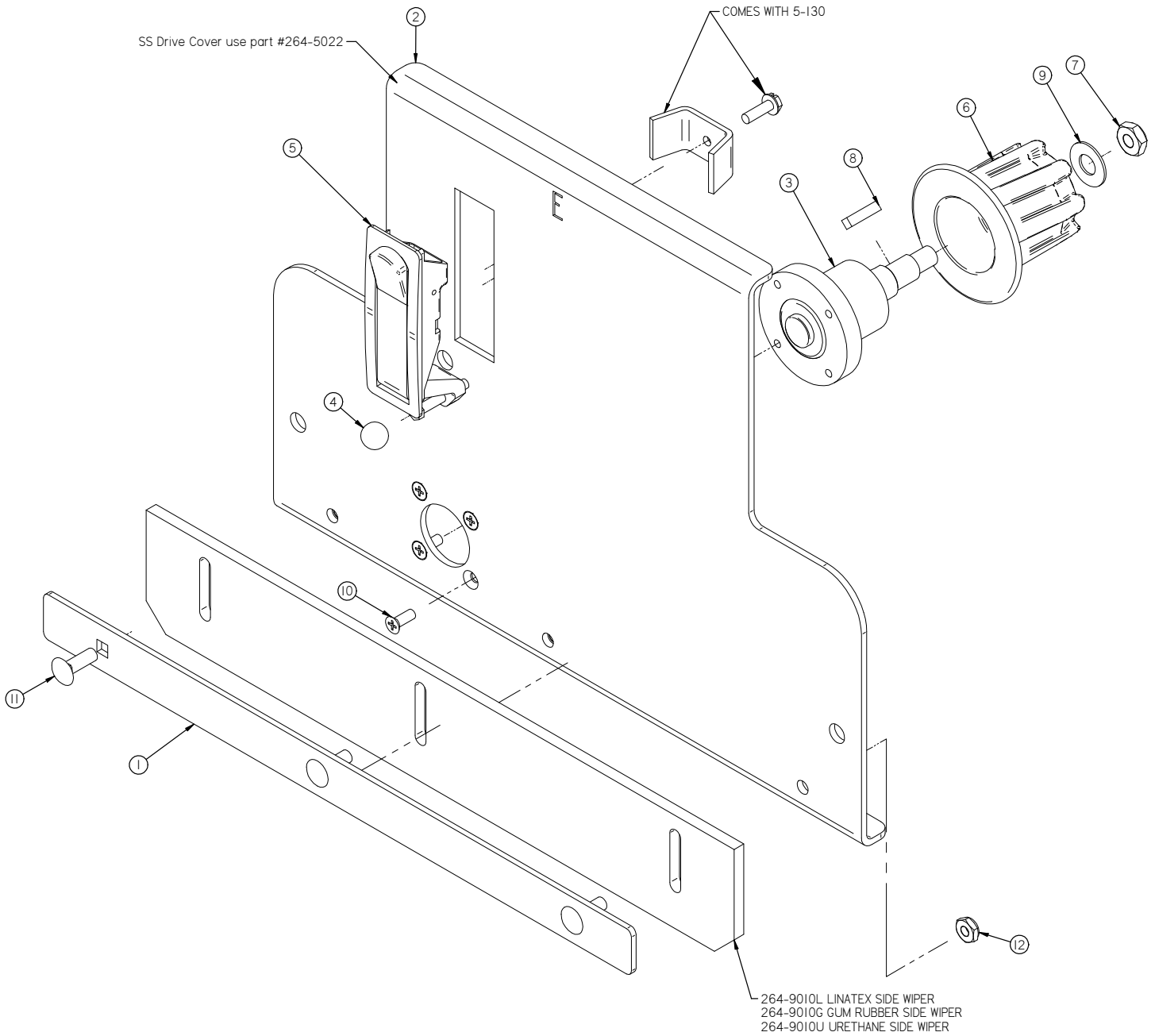
Item	Part No.	Part Description	Qty.
1	150-7601	3" SIDE WHEEL (GREY)	4
2	170-1240	LATCH	2
3	H-70856	NYLOK #8-32 SS	4
4	H-70860	NYLOK 1/4"- 20 SS	12
5	H-70861	NYLOK 5/16" - 18 SS	4
6	H-71015	FW 5/16 ID X 3/4 OD SS	4
7	H-72641	FHP #8-32 X 3/8" SS	4
8	H-74401	CB 5/16"- 18 X 1-3/4" SS	4
9	H-74418	CB 1/4"- 20 X 5/8" S/S	12
10	M-9307K23	GROMMET .625 DIAMETER HOLE .125 THICK PANEL	6



25 Inch - 29 Inch Cylindrical Decks

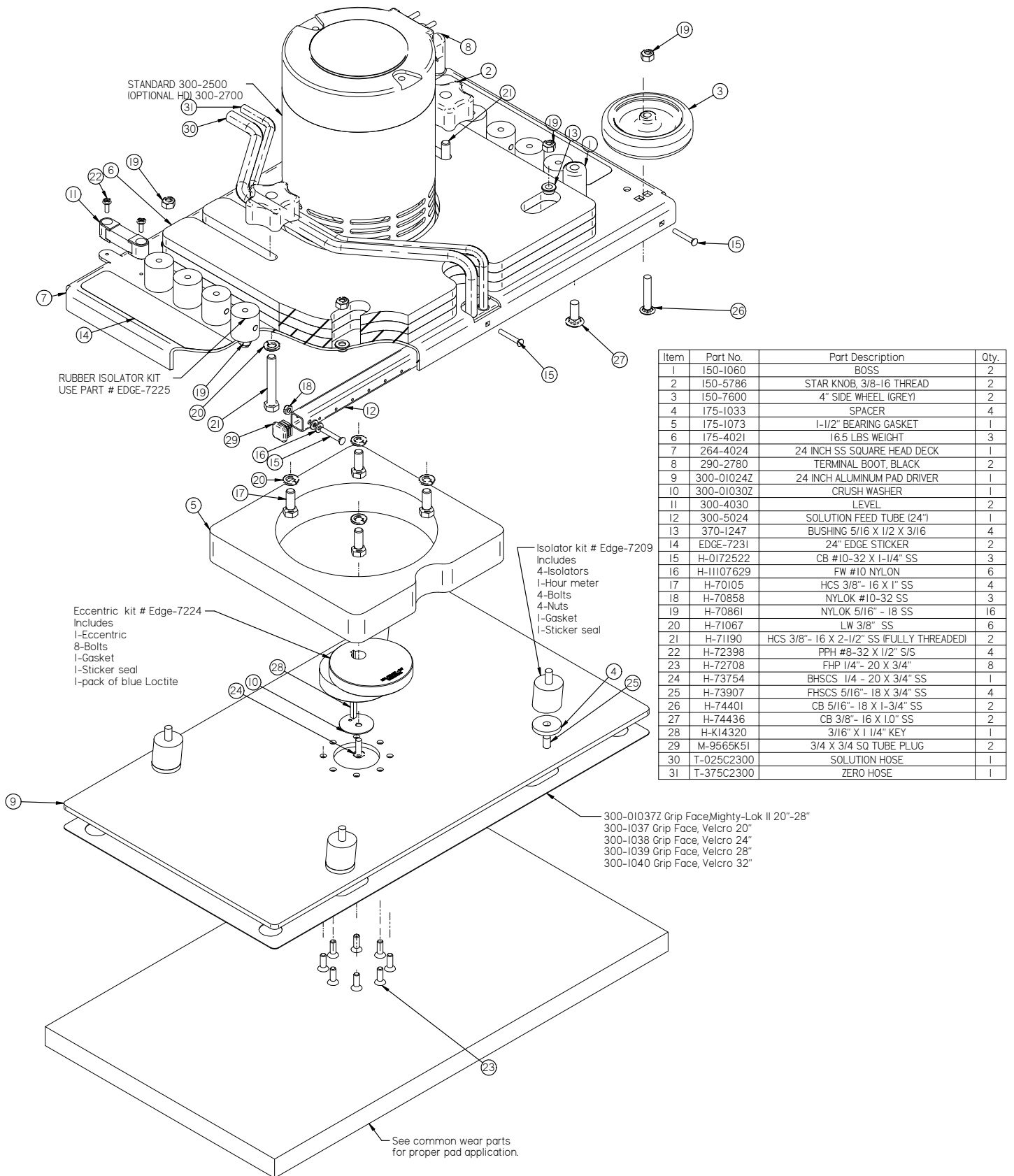


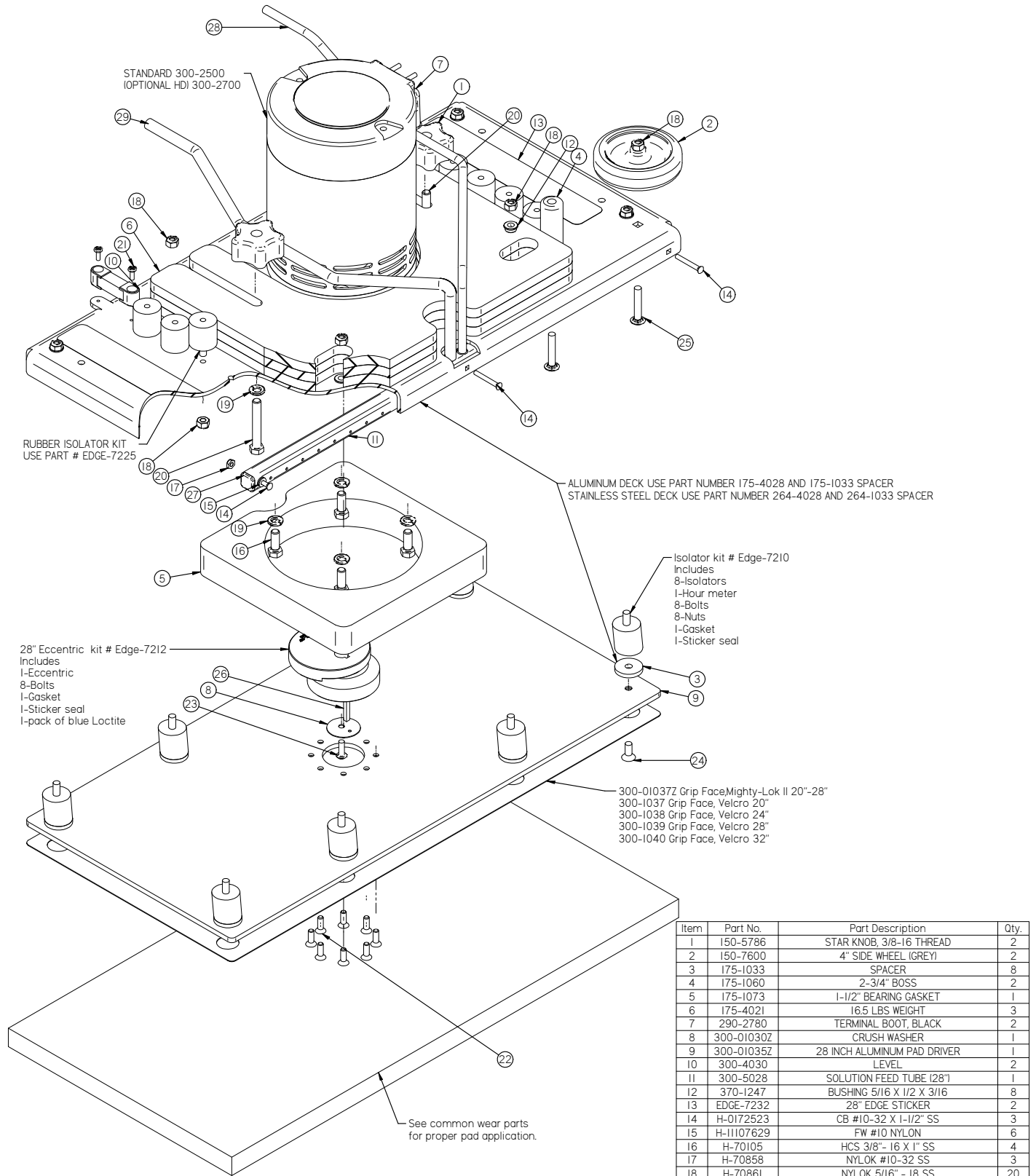
Item	Part No.	Part Description	Qty.	Item	Part No.	Part Description	Qty.
1	175-2700	NEG INSULATOR POST (BLACK)	1	25	H-70858	NYLOK #10-32 SS	4
2	175-2710	POS INSULATOR POST (RED)	1	26	H-70861	NYLOK 5/16" - 18 SS	22
3	175-9590	SCRUBDECK LIFT ARM, CYLINDRICAL	1	27	H-70889	HOLE PLUG 7/8"	2
4	21-1127	ROLLER	6	28	H-71015	FW 5/16 ID X 3/4 OD SS	12
5	253-9003	QUICK DISCONNECT BRACKET	1	29	H-71016	FW 5/16 ID X 7/8 OD SS	2
6	264-1129	ROLLER BRACKET	2	30	H-71017	FW 3/8 ID X 7/8 OD SS	10
7	264-8215	TIMING SPROCKET 26 TOOTH	2	31	H-72556	PPH #10-32 X 2" SS	4
8	264-8225	TIMING SPROCKET 56 TOOTH	2	32	H-72682	FHP #10-32 X 1/2" SS	8
9	264-8230	565-5M-25 HI-PERFORMANCE PD PLUS BELT	2	33	H-72685	FHP 10-32 X 1" SS	6
10	264-8325	HOPPER RAIL 25"	1	34	H-73459	SHCS 1/4"-20 X 1/2" SS	6
11	264-9002	MOTOR ADJ BRACKET	2	35	H-73777	BHSCS 5/16-18 X 1/2"	2
12	300-4030	LEVEL	2	36	H-74417	CB 1/4" - 20 X .5" SS	2
13	370-1247	BUSHING 5/16 X 1/2 X 3/16	4	37	H-74429	CB 5/16" - 18 X 3/4" SS	8
14	370-8240A	BEARING HOUSING/BEARING	2	38	H-74430	CB 5/16" - 18 X 1" SS	6
15	4-446	GROMMET-3/8 ID X 1-1/2 OD X .375	6	39	H-74431	CB 5/16" - 18 X 1-1/4" SS	4
16	6-25	6.25" ADJUSTABLE LATERAL ARM	2	40	H-74432	CB 5/16" - 18 X 1-1/2" SS	4
17	H-01125	3/16" X 1" KEY	2	41	H-90895	WASHER, SERRATED BELLEVILLE, 3/8", S/S	8
18	H-0129155	JNYL #10-32, 18-8 S/S	6	42	H-98025	FW 3/8" GRADE 8	8
19	H-0171004	JNYL 3/8- 24 SS	2	43	H-K14320	3/16" X 1 1/4" KEY	2
20	H-0953152	3/16" X 3/4" KEY	2	44	H-NJ04C	JNYL 1/4" - 20 SS	7
21	H-11333	HB 5/8" - 11 X 10"	2	45	M-92865A214	HCS 3/8"-24 X 7/8" SS	8
22	H-25382	SETSCREW, KCP, 1/4"-20 X 1/2"	8	46	T-025B2300	ZERO HOSE	1
23	H-37038	JNYL 5/8" - 11	2	47	T-050R1700	SOLUTION FEED HOSE	1
24	H-70003	HCS 1/4"-20 X 3/4" SS	4				



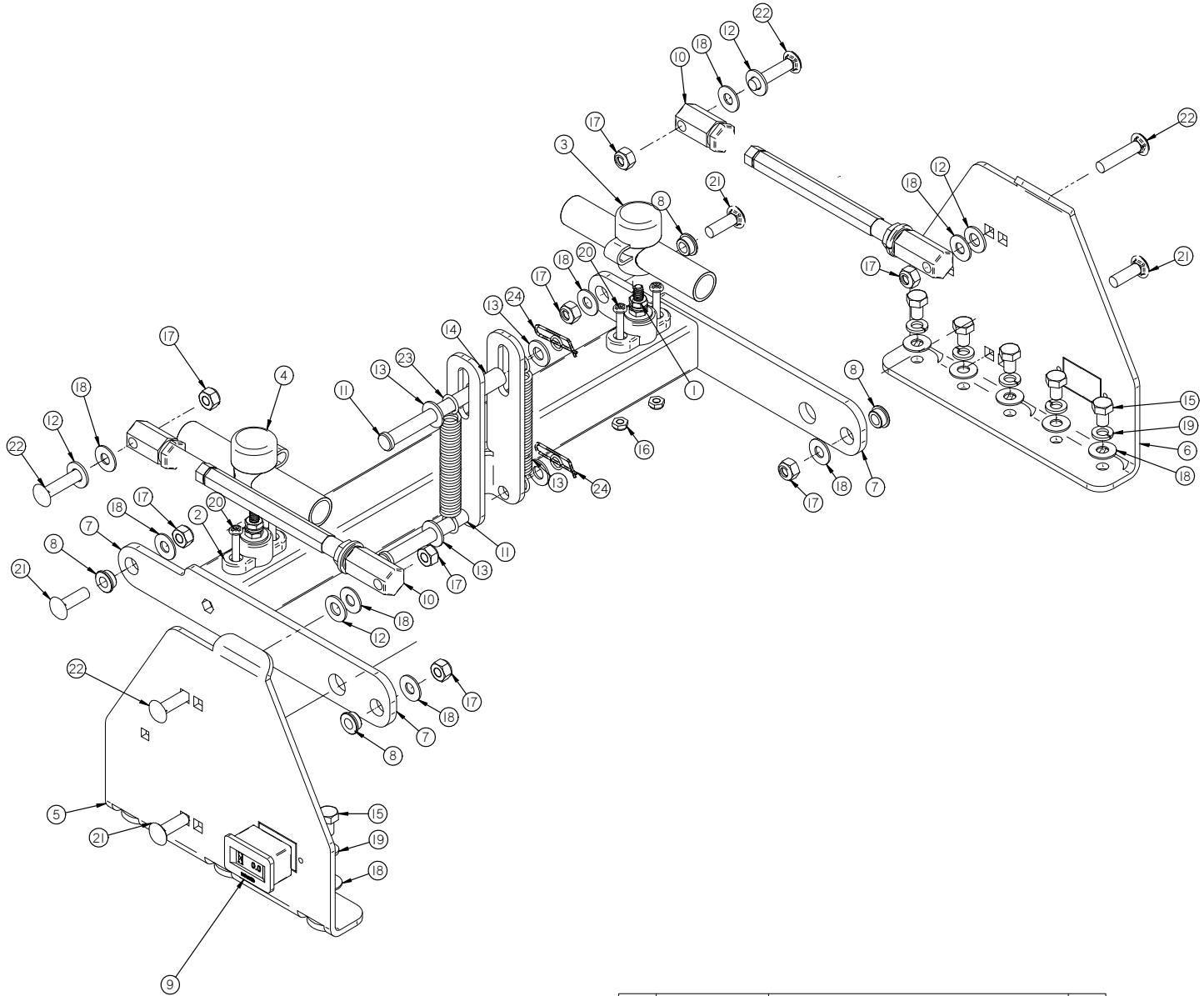
Item	Part No.	Part Description	Qty.
1	264-9015	WIPER BAND	1
2	264-9022	DRIVE COVER	1
3	370-8241A	IDLER DRIVE BEARING	1
4	5-100	GROMMET	1
5	5-130	DOOR LATCH	1
6	600-8371	CYLINDRICAL DRIVER (HARDCOAT)	1
7	H-0171004	JNYL 3/8" - 24 SS	1
8	H-0953152	3/16" X 3/4" KEY	1
9	H-71017	FW 3/8 ID X 7/8 OD SS	1
10	H-72682	FHP #10-32 X 1/2" SS	4
11	H-74419	CB 1/4" - 20 X .75" SS	3
12	H-NJ04C	JNYL 1/4" - 20 SS	3

24 Inch EDGE Decks

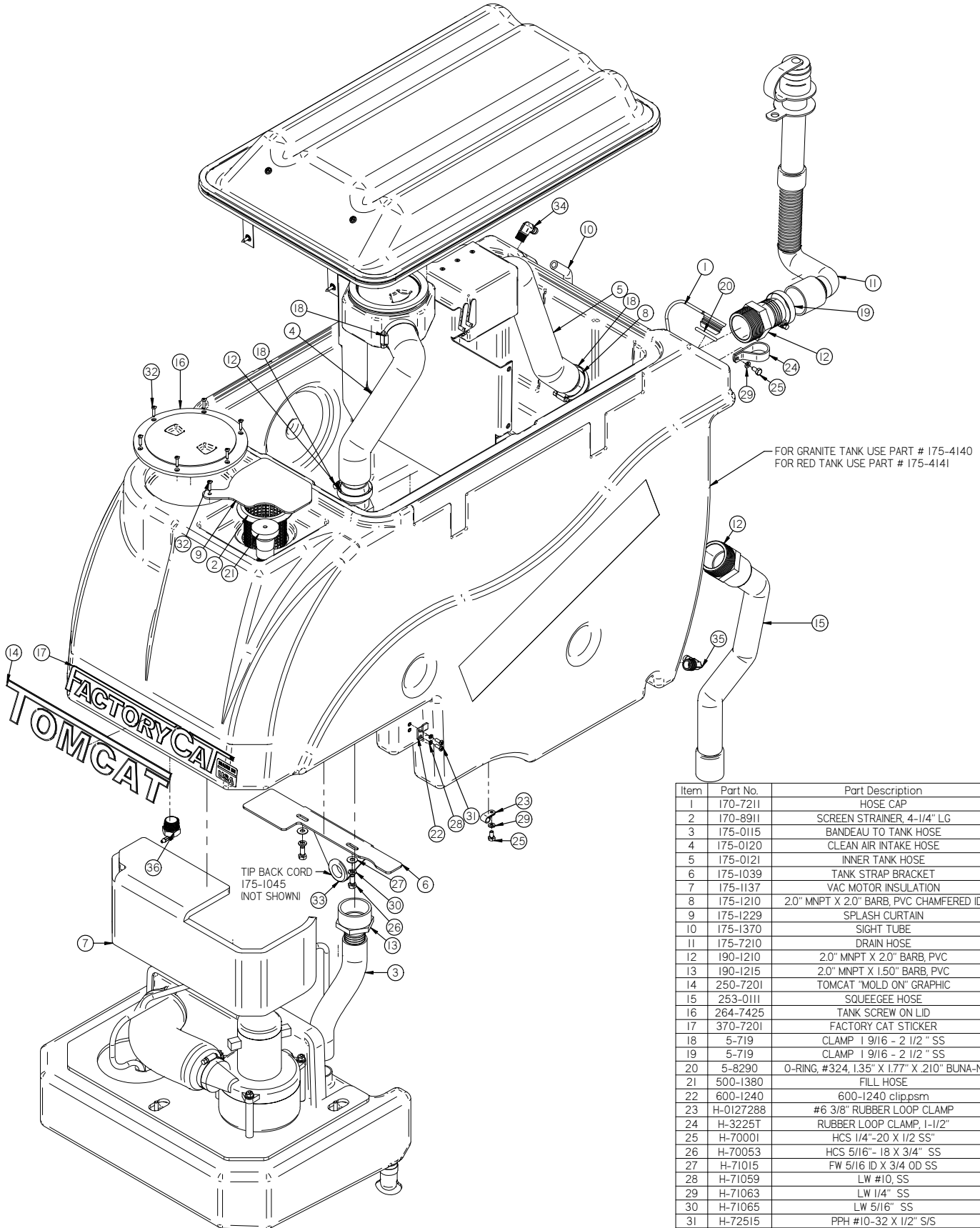




EDGE Lifting Bracket



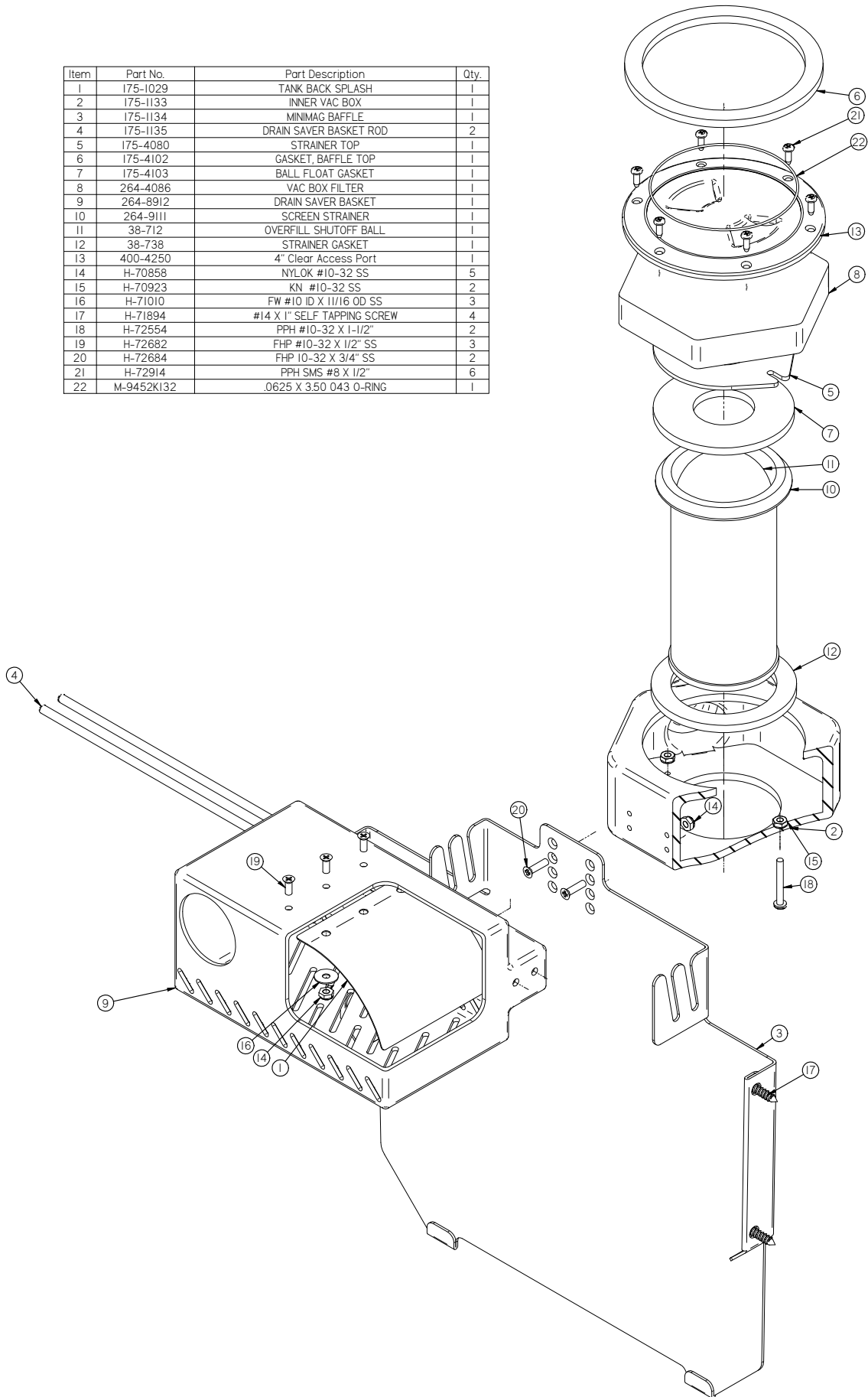
Item	Part No.	Part Description	Qty.
1	175-2700	NEG INSULATOR POST (BLACK)	1
2	175-2710	POS INSULATOR POST (RED)	1
3	175-2780	BLACK INSULATOR BOOT	1
4	175-2790	RED INSULATOR BOOT	1
5	175-9080	LLHI DECK LIFTING BRACKET	1
6	175-9081	IRHI DECK LIFTING BRACKET	1
7	175-9586	SCRUBDECK LIFT ARM, DISK/EDGE	1
8	370-1247	BUSHING 5/16 X 1/2 X 3/16	4
9	8-262	HOUR METER	1
10	9-25	9.25" ADJUSTABLE LATERAL ARM	2
11	H-0156758	3/8" X 3-1/2" CLEVIS PIN	2
12	H-4440024	FW 3/8" X 3/4" NYLON	4
13	H-4440024	FW 3/8" X 3/4" NYLON	4
14	H-63917	SLEEVE, .50 OD X .375 ID X 1.0 LG	1
15	H-70051	HCS 5/16" - 18 X 1/2"	10
16	H-70858	NYLOK #10-32 SS	4
17	H-70861	NYLOK 5/16" - 18 SS	8
18	H-71015	FW 5/16 ID X 3/4 OD SS	18
19	H-71065	LW 5/16" SS	10
20	H-72556	PPH #10-32 X 2" SS	4
21	H-74430	CB 5/16" - 18 X 1" SS	4
22	H-74432	CB 5/16" - 18 X 1-1/2" SS	4
23	H-96544	SPRING, 4-1/8" LG, 9/16" OD	2
24	H-RUE14	3/8" RUE RING COTTER	2



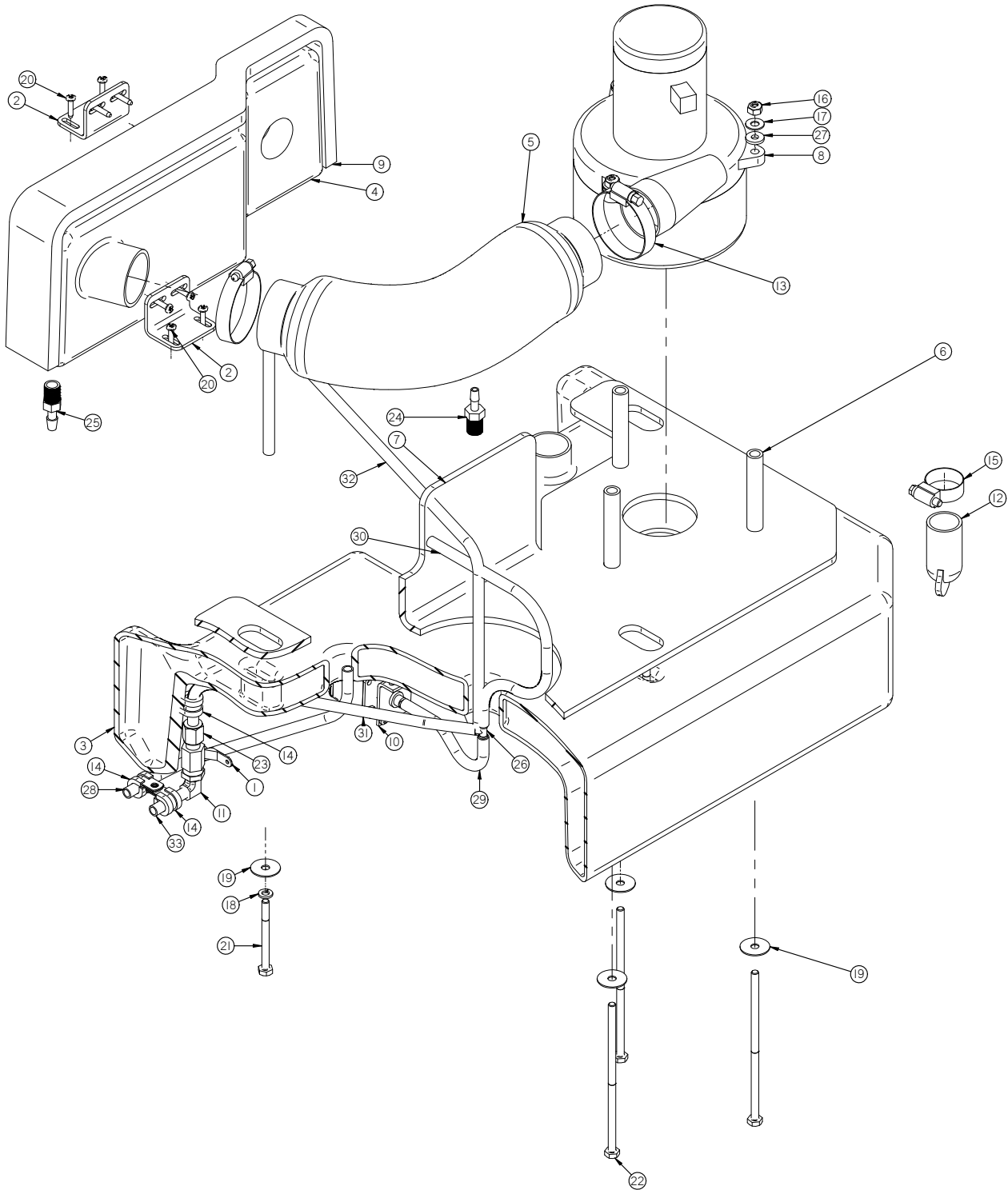
Item	Part No.	Part Description	Qty.
1	170-7211	HOSE CAP	1
2	170-8911	SCREEN STRAINER, 4-1/4" LG	1
3	175-0115	BANDEAU TO TANK HOSE	1
4	175-0120	CLEAN AIR INTAKE HOSE	1
5	175-0121	INNER TANK HOSE	1
6	175-1039	TANK STRAP BRACKET	1
7	175-1137	VAC MOTOR INSULATION	1
8	175-1210	2.0" MNPT X 2.0" BARB, PVC CHAMFERED ID	1
9	175-1229	SPLASH CURTAIN	1
10	175-1370	SIGHT TUBE	1
11	175-7210	DRAIN HOSE	1
12	190-1210	2.0" MNPT X 2.0" BARB, PVC	3
13	190-1215	2.0" MNPT X 1.50" BARB, PVC	1
14	250-7201	TOMCAT "MOLD ON" GRAPHIC	1
15	253-0111	SQUEEGEE HOSE	1
16	264-7425	TANK SCREW ON LID	1
17	370-7201	FACTORY CAT STICKER	1
18	5-719	CLAMP 1 9/16 - 2 1/2" SS	3
19	5-719	CLAMP 1 9/16 - 2 1/2" SS	1
20	5-8290	O-RING, #324, 1.35" X 1.77" X .210" BUNA-N	1
21	500-1380	FILL HOSE	1
22	600-1240	600-1240 clippsm	2
23	H-0127288	#6 3/8" RUBBER LOOP CLAMP	1
24	H-3225T	RUBBER LOOP CLAMP, 1-1/2"	1
25	H-70001	HCS 1/4"-20 X 1/2 SS"	2
26	H-70053	HCS 5/16"- 18 X 3/4" SS	2
27	H-71015	FW 5/16 ID X 3/4 OD SS	2
28	H-71059	LW #10, SS	4
29	H-71063	LW 1/4" SS	2
30	H-71065	LW 5/16" SS	2
31	H-72515	PPH #10-32 X 1/2" S/S	4
32	H-72916	PPH SMS #8 X 3/4" SS	7
33	H-9307K74	GROMMET, 1" ID X 1-3/4" OD BUNA-N	1
34	M-53525K21	ELBOW, 3/8" MNPT X 1/2" BARB, BRASS	1
35	M-53525K58	ELBOW, 1/2" MNPT X 1/2" BARB, BRASS	2
36	M-5463K496	.75 NPT X .25 BARBED X 90 DEG.par	1

Standard XL Tank - Drain Saver, Vac Box, Baffle Assembly

Item	Part No.	Part Description	Qty.
1	175-1029	TANK BACK SPLASH	1
2	175-1133	INNER VAC BOX	1
3	175-1134	MINIMAG BAFFLE	1
4	175-1135	DRAIN SAVER BASKET ROD	2
5	175-4080	STRAINER TOP	1
6	175-4102	GASKET, BAFFLE TOP	1
7	175-4103	BALL FLOAT GASKET	1
8	264-4086	VAC BOX FILTER	1
9	264-8912	DRAIN SAVER BASKET	1
10	264-9111	SCREEN STRAINER	1
11	38-712	OVERFILL SHUTOFF BALL	1
12	38-738	STRAINER GASKET	1
13	400-4250	4" Clear Access Port	1
14	H-70858	NYLON #10-32 SS	5
15	H-70923	KN #10-32 SS	2
16	H-71010	FW #10 ID X 11/16 OD SS	3
17	H-71894	#14 X 1" SELF TAPPING SCREW	4
18	H-72554	PPH #10-32 X 1-1/2"	2
19	H-72682	FHP #10-32 X 1/2" SS	3
20	H-72684	FHP 10-32 X 3/4" SS	2
21	H-72914	PPH SMS #8 X 1/2"	6
22	M-9452K132	.0625 X 3.50 043 O-RING	1

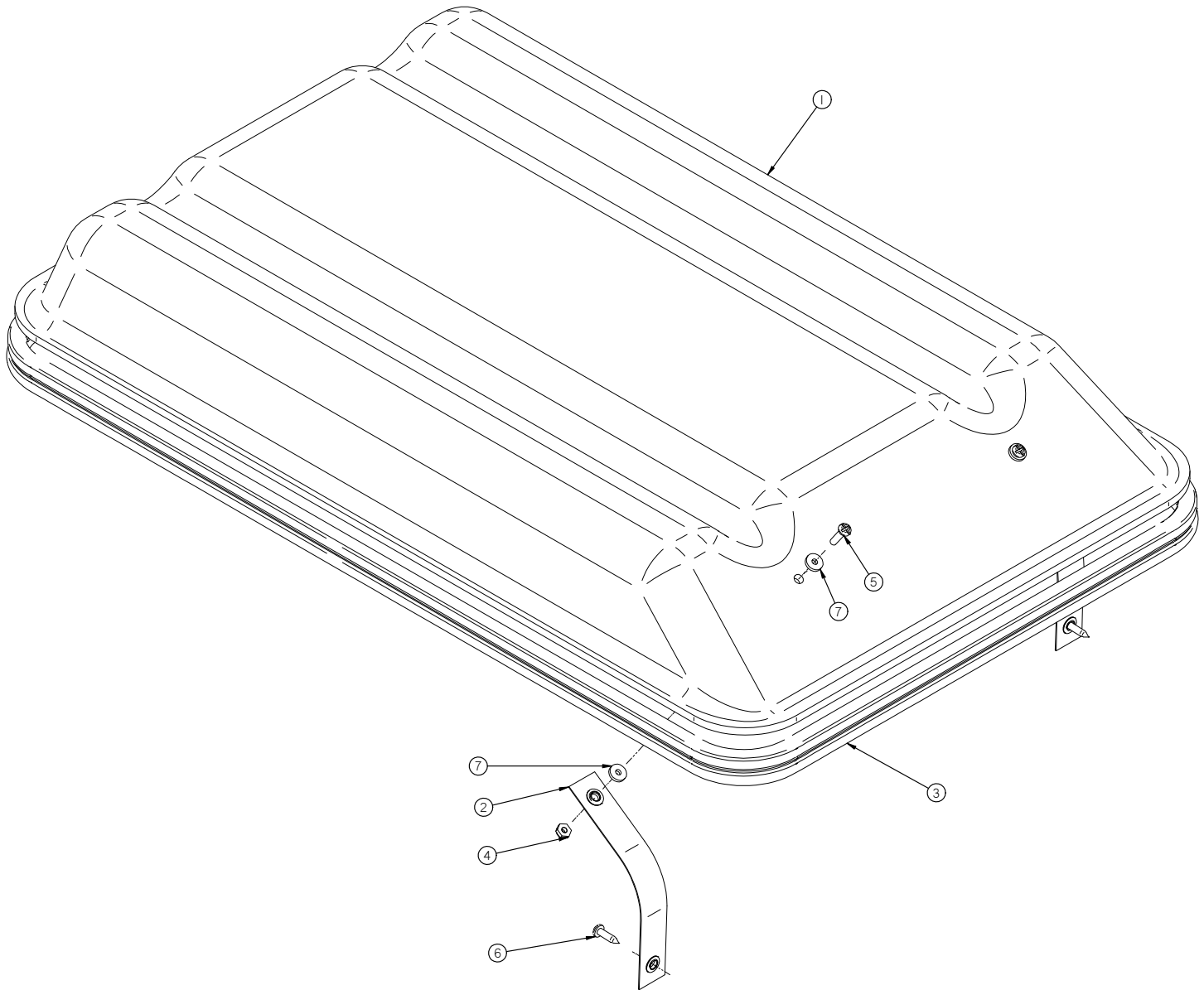


Standard XL Tank - Vacuum Bandeau Assembly

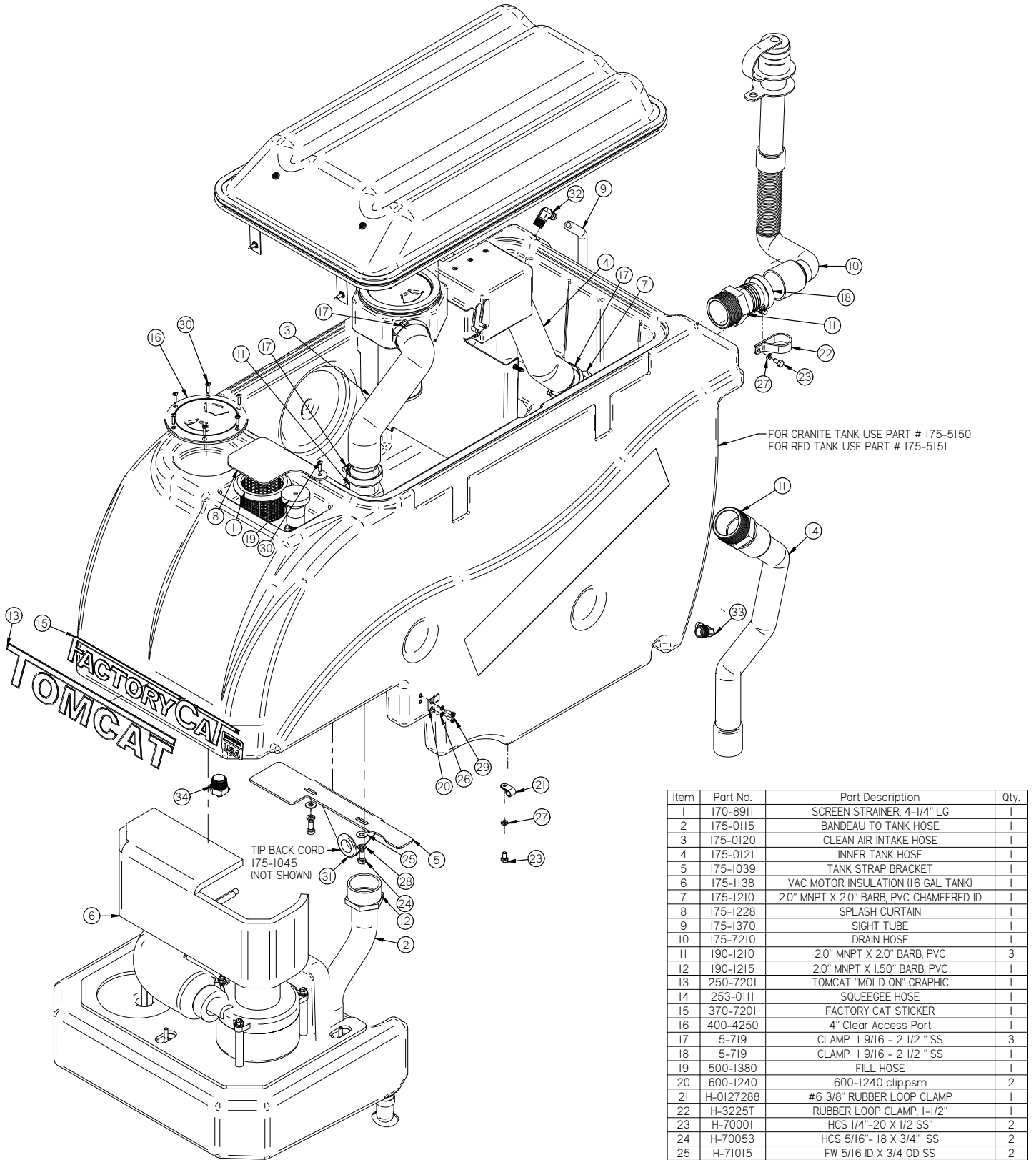


Item	Part No.	Part Description	Qty.	Item	Part No.	Part Description	Qty.
1	170-4158	1/4" NPT VALVE	1	18	H-71063	LW 1/4" SS	3
2	175-1129	VAC MUFFLER BRACKET	2	19	H-71212	FNW 1/4 ID X 1.0 OD SS	6
3	175-1147	BANDEAU VAC BOX	1	20	H-72916	PPH SMS #8 X 3/4" SS	8
4	175-1148	VAC MUFFLER WALL	1	21	H-77014	HCS 1/4"- 20 X 2.75" SS	3
5	175-2502	MINI-XL MUFFLER	1	22	H-77025	HCS 1/4"- 20 X 6.0" SS	3
6	175-2600	SPACER 3.0" LG	3	23	M-5346K51	.25 NPTF X .125 BRASS BARBED HOSE FITTING	1
7	175-3002	2 1/2 23GA VAC MOTOR GASKET	1	24	M-5463K439	.25 NPT X .125 BARB	1
8	175-5250	VAC MOTOR, 3/4 HP, TANGENTIAL	1	25	M-5463K445	.25 NPT X .25 BARB	1
9	175-7421	TANK GASKET	1	26	M-5463K606	1/4" X 1/4" PLASTIC BARBED TEE	1
10	253-8500	SOAP PUMP, 24V	1	27	M-90130A029	.25" NEOPRENE WASHER	3
11	290-4149	1/4" NPT X 1/4" BARB X 90 DEG	1	28	T-025B1200	VAC DRAIN HOSE	1
12	390-1505	LOADER VALVE	1	29	T-025C0800	SUDS HOSE	1
13	5-719	CLAMP 1 9/16 - 2 1/2" SS	2	30	T-025C1200	SUDS HOSE	1
14	H-0127290	1/2" LOOP CLAMP	3	31	T-025C1200	SUDS HOSE	1
15	H-62005	CLAMP 5/8"- 1-1/2" SS	1	32	T-025C1700	SUDS HOSE	1
16	H-70860	NYLOK 1/4"- 20 SS	3	33	T-025G0200	SUDS DRAIN HOSE	1
17	H-71013	FW 1/4 ID X 5/8 OD SS	3				

Standard XL Tank - Lid Assembly



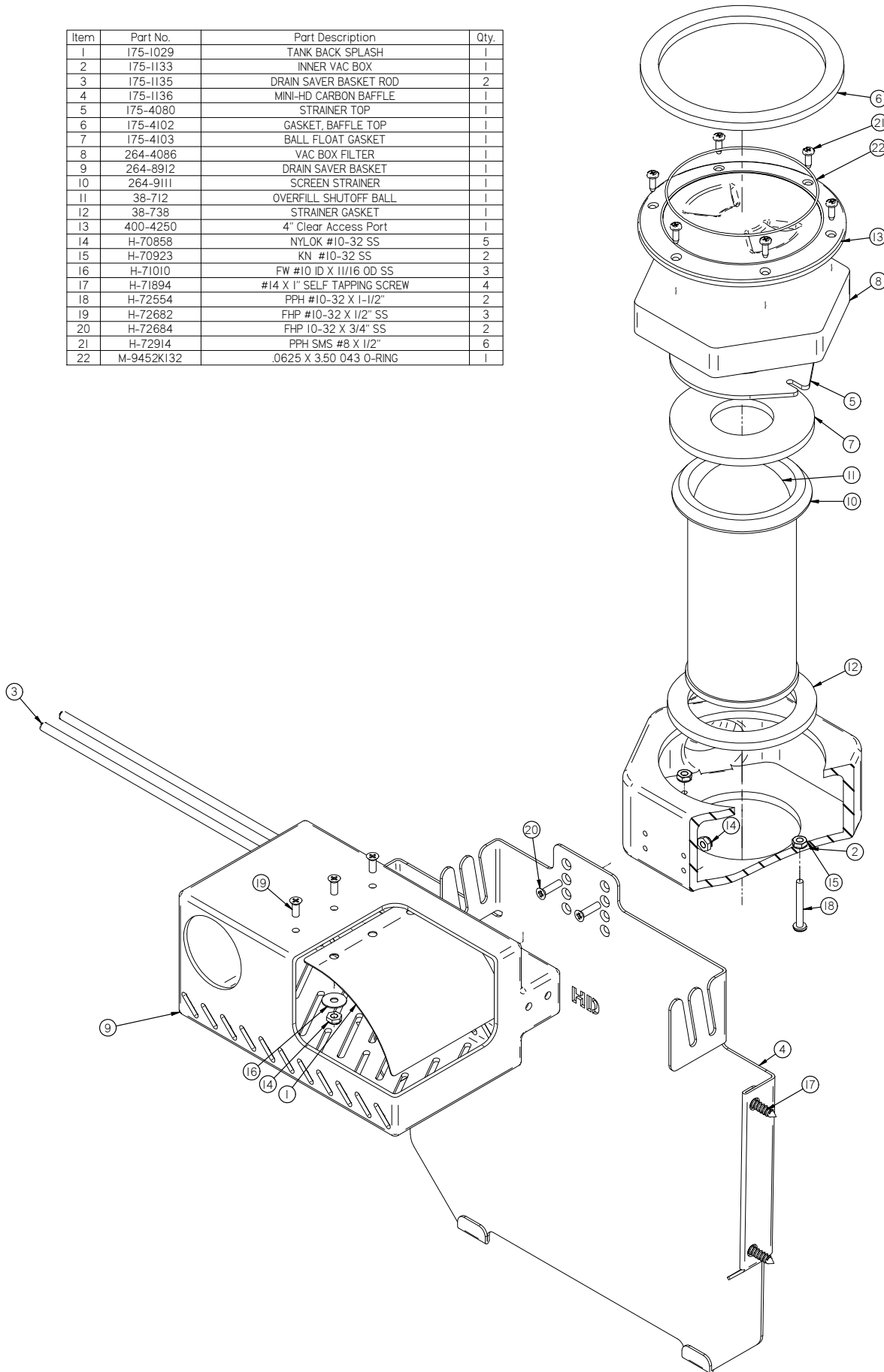
Item	Part No.	Part Description	Qty.
1	I75-1410	VAC FORMED SMOKED COVER	1
2	I75-1412	TANK LID STRAP W/GROMMETS	2
3	I75-4101	PUSH-ON RUBBER GASKET	1
4	H-0129155	JNYL #10-32, 18-8 S/S	2
5	H-72534	PPH #10-32 X 3/4" S/S	2
6	H-72916	PPH SMS #8 X 3/4" SS	2
7	H-90133	.170 ID X .50 OD X .093 TH NEOPRENE WASHER	4



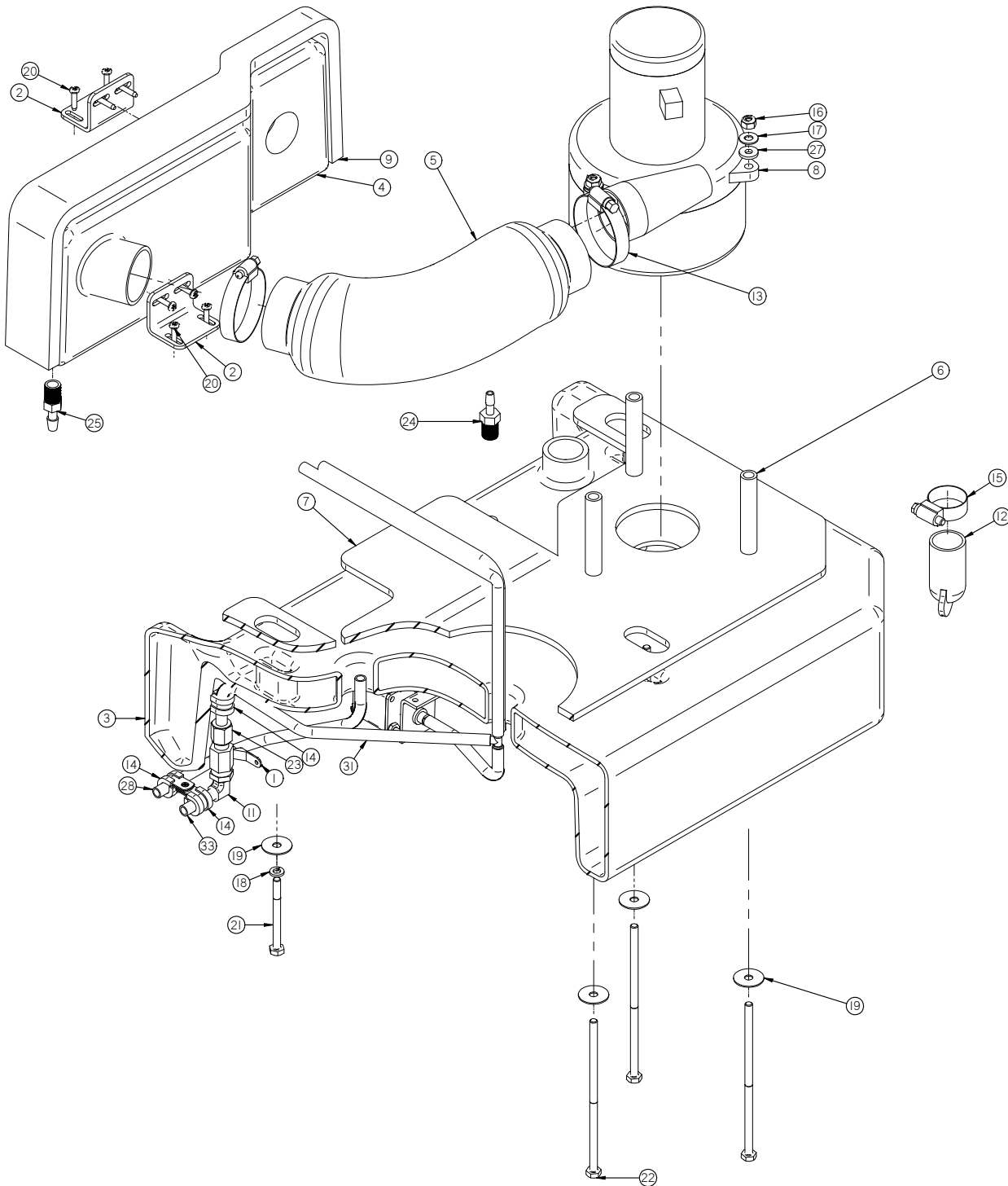
Item	Part No.	Part Description	Qty.
1	170-8911	SCREEN STRAINER, 4-1/4" LG	1
2	175-0115	BANDEAU TO TANK HOSE	1
3	175-0120	CLEAN AIR INTAKE HOSE	1
4	175-0121	INNER TANK HOSE	1
5	175-1039	TANK STRAP BRACKET	1
6	175-1138	VAC MOTOR INSULATION (16 GAL. TANK)	1
7	175-1210	2.0" MNPT X 2.0" BARB, PVC CHAMFERED ID	1
8	175-1228	SPLASH CURTAIN	1
9	175-1370	SIGHT TUBE	1
10	175-7210	DRAIN HOSE	1
11	190-1210	2.0" MNPT X 2.0" BARB, PVC	3
12	190-1215	2.0" MNPT X 1.50" BARB, PVC	1
13	250-7201	TOMCAT "MOLD ON" GRAPHIC	1
14	253-0111	SQUEEGEE HOSE	1
15	370-7201	FACTORY CAT STICKER	1
16	400-4250	4" Clear Access Port	1
17	5-719	CLAMP 1 9/16 - 2 1/2" SS	3
18	5-719	CLAMP 1 9/16 - 2 1/2" SS	1
19	500-1380	FILL HOSE	1
20	600-1240	600-1240 clippsm	2
21	H-0127288	#6 3/8" RUBBER LOOP CLAMP	1
22	H-3225T	RUBBER LOOP CLAMP, 1-1/2"	1
23	H-70001	HCS 1/4"-20 X 1/2" SS"	2
24	H-70053	HCS 5/16"-18 X 3/4" SS	2
25	H-71015	FW 5/16 ID X 3/4 OD SS	2
26	H-71059	LW #10, SS	4
27	H-71063	LW 1/4" SS	2
28	H-71065	LW 5/16" SS	2
29	H-72515	PPH #10-32 X 1/2" S/S	4
30	H-72916	PPH SMS #8 X 3/4" SS	7
31	H-9307K74	GROMMET, 1" ID X 1-3/4" OD BUNA-N	1
32	M-53525K21	ELBOW, 3/8" MNPT X 1/2" BARB, BRASS	1
33	M-53525K58	ELBOW, 1/2" MNPT X 1/2" BARB, BRASS	2
34	M-5463K496	.75 NPT X .25 BARBED X 90 DEG.par	1

Smaller Optional - Drain Saver, Vac Box, Baffle Assembly

Item	Part No.	Part Description	Qty.
1	175-1029	TANK BACK SPLASH	1
2	175-1133	INNER VAC BOX	1
3	175-1135	DRAIN SAVER BASKET ROD	2
4	175-1136	MINI-HD CARBON BAFFLE	1
5	175-4080	STRAINER TOP	1
6	175-4102	GASKET, BAFFLE TOP	1
7	175-4103	BALL FLOAT GASKET	1
8	264-4086	VAC BOX FILTER	1
9	264-8912	DRAIN SAVER BASKET	1
10	264-9111	SCREEN STRAINER	1
11	38-712	OVERFILL SHUTOFF BALL	1
12	38-738	STRAINER GASKET	1
13	400-4250	4" Clear Access Port	1
14	H-70858	NYLOK #10-32 SS	5
15	H-70923	KN #10-32 SS	2
16	H-71010	FW #10 ID X 11/16 OD SS	3
17	H-71894	#14 X 1" SELF TAPPING SCREW	4
18	H-72554	PPH #10-32 X 1-1/2"	2
19	H-72682	FHP #10-32 X 1/2" SS	3
20	H-72684	FHP 10-32 X 3/4" SS	2
21	H-72914	PPH SMS #8 X 1/2"	6
22	M-9452K132	.0625 X 3.50 O43 O-RING	1

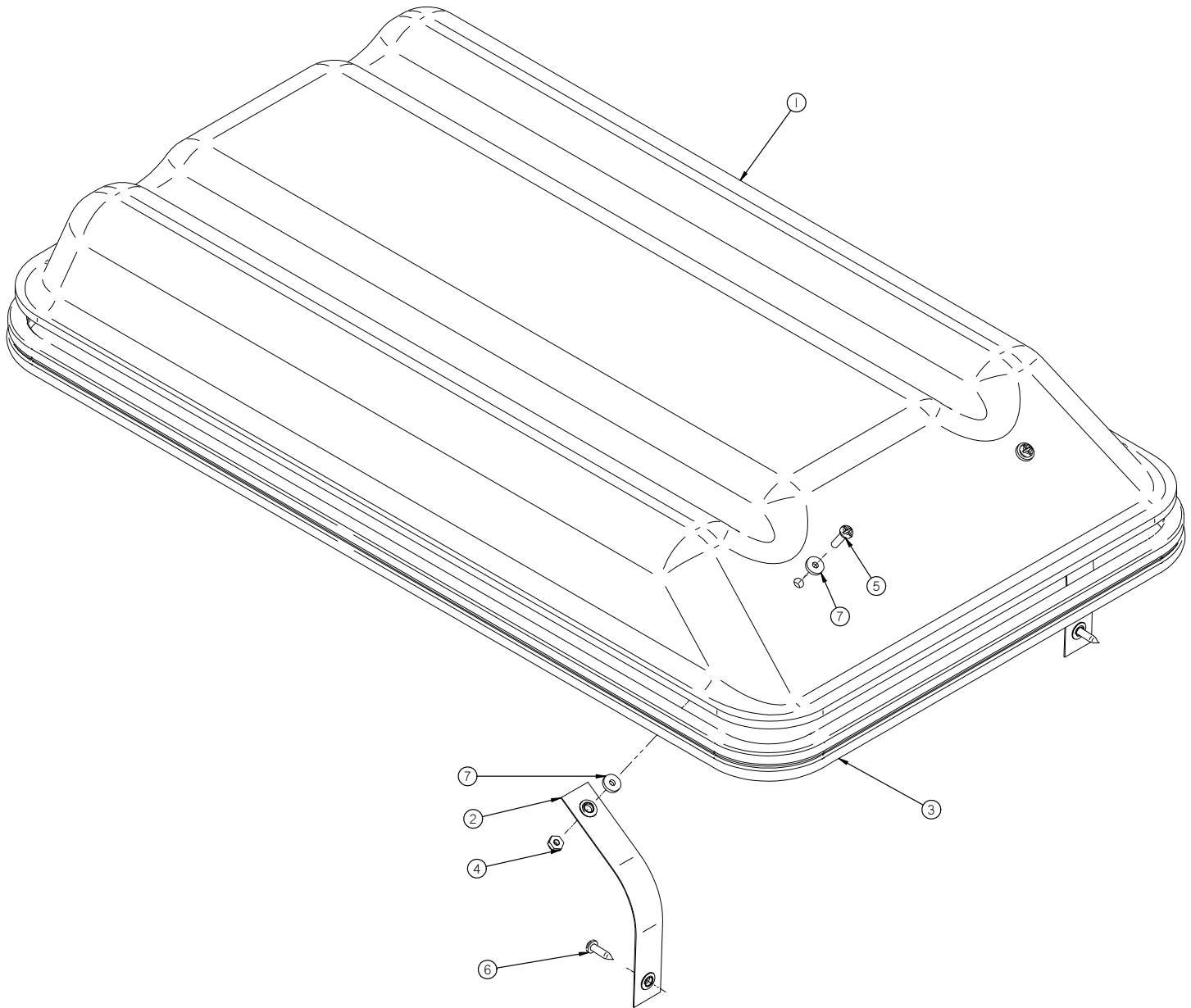


Smaller Optional - Vacuum Bandeau Assembly

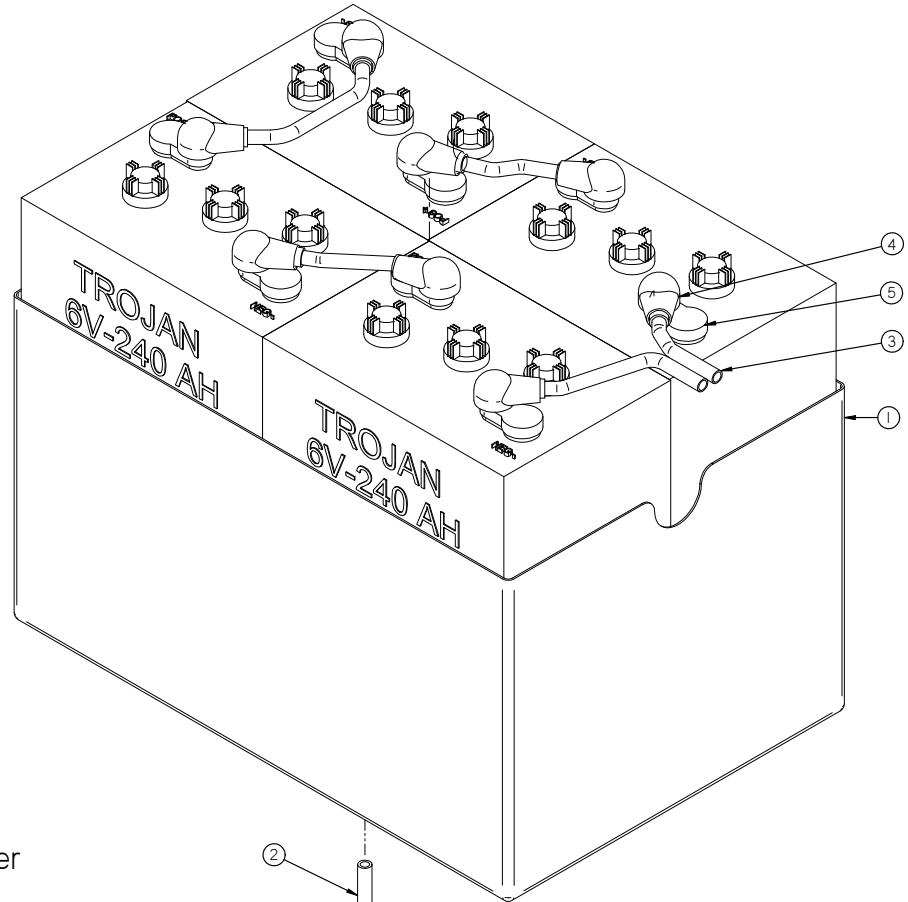


Item	Part No.	Part Description	Qty.	Item	Part No.	Part Description	Qty.
1	170-4158	1/4" NPT VALVE	1	18	H-71063	LW 1/4" SS	3
2	175-1129	VAC MUFFLER BRACKET	2	19	H-71212	FNW 1/4 ID X 1.0 OD SS	6
3	175-1146	MINI-HD CARBON BANDEAU VAC BOX	1	20	H-72916	PPH SMS #8 X 3/4" SS	8
4	175-1148	VAC MUFFLER WALL	1	21	H-77014	HCS 1/4"- 20 X 2.75" SS	3
5	175-2502	MINI-HD CARBON MUFFLER	1	22	H-77025	HCS 1/4"- 20 X 6.0" SS	3
6	175-2600	SPACER, 3.0" LG	3	23	M-5346K51	.25 NPTF X .125 BRASS BARBED HOSE FITTING	1
7	175-3000	16/17GA VAC MOTOR GASKET	1	24	M-5463K439	.25 NPT X .125 BARB	1
8	175-5250	VAC MOTOR, 3/4 HP, TANGENTIAL	1	25	M-5463K445	.25 NPT X .25 BARB	1
9	175-7421	TANK GASKET	1	26	M-5463K606	1/4" X 1/4" PLASTIC BARBED TEE	1
10	253-8500	SOAP PUMP, 24V	1	27	M-90130A029	.25" NEOPRENE WASHER	3
11	290-4149	1/4" NPT X 1/4" BARB X 90 DEG	1	28	T-025BI200	VAC DRAIN HOSE	1
12	390-1505	LOADER VALVE	1	29	T-025C0800	SUDS HOSE	1
13	5-719	CLAMP 1 9/16 - 2 1/2" SS	2	30	T-025CI200	SUDS HOSE	1
14	H-0127290	1/2" LOOP CLAMP	3	31	T-025CI200	SUDS HOSE	1
15	H-62005	CLAMP 5/8" - 1-1/2" SS	1	32	T-025CI700	SUDS HOSE	1
16	H-70860	NYLOK 1/4"- 20 SS	3	33	T-025G0200	SUDS DRAIN HOSE	1
17	H-71013	FW 1/4 ID X 5/8 OD SS	3				

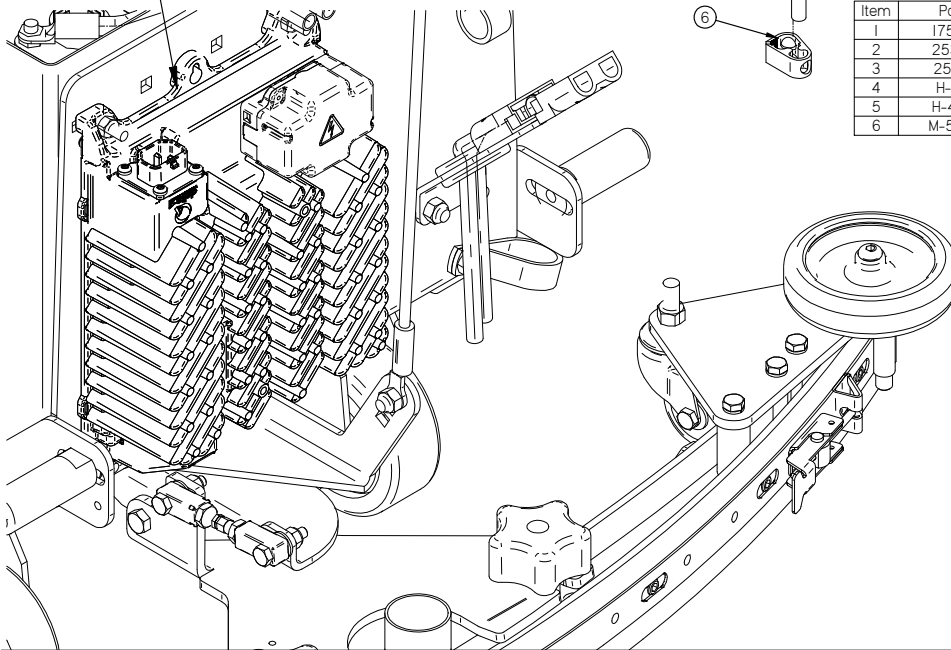
Smaller Optional - Lid Assembly



Item	Part No.	Part Description	Qty.
1	175-1409	MINI-HD CARBON CLEAR LID	1
2	175-1412	TANK LID STRAP W/GROMMETS	2
3	175-4101	PUSH-ON RUBBER GASKET	1
4	H-0129155	JNYL #10-32, 18-8 S/S	2
5	H-72534	PPH #10-32 X 3/4" S/S	2
6	H-72916	PPH SMS #8 X 3/4" SS	2
7	H-90133	.170 ID X .50 OD X .093 TH NEOPRENE WASHER	4



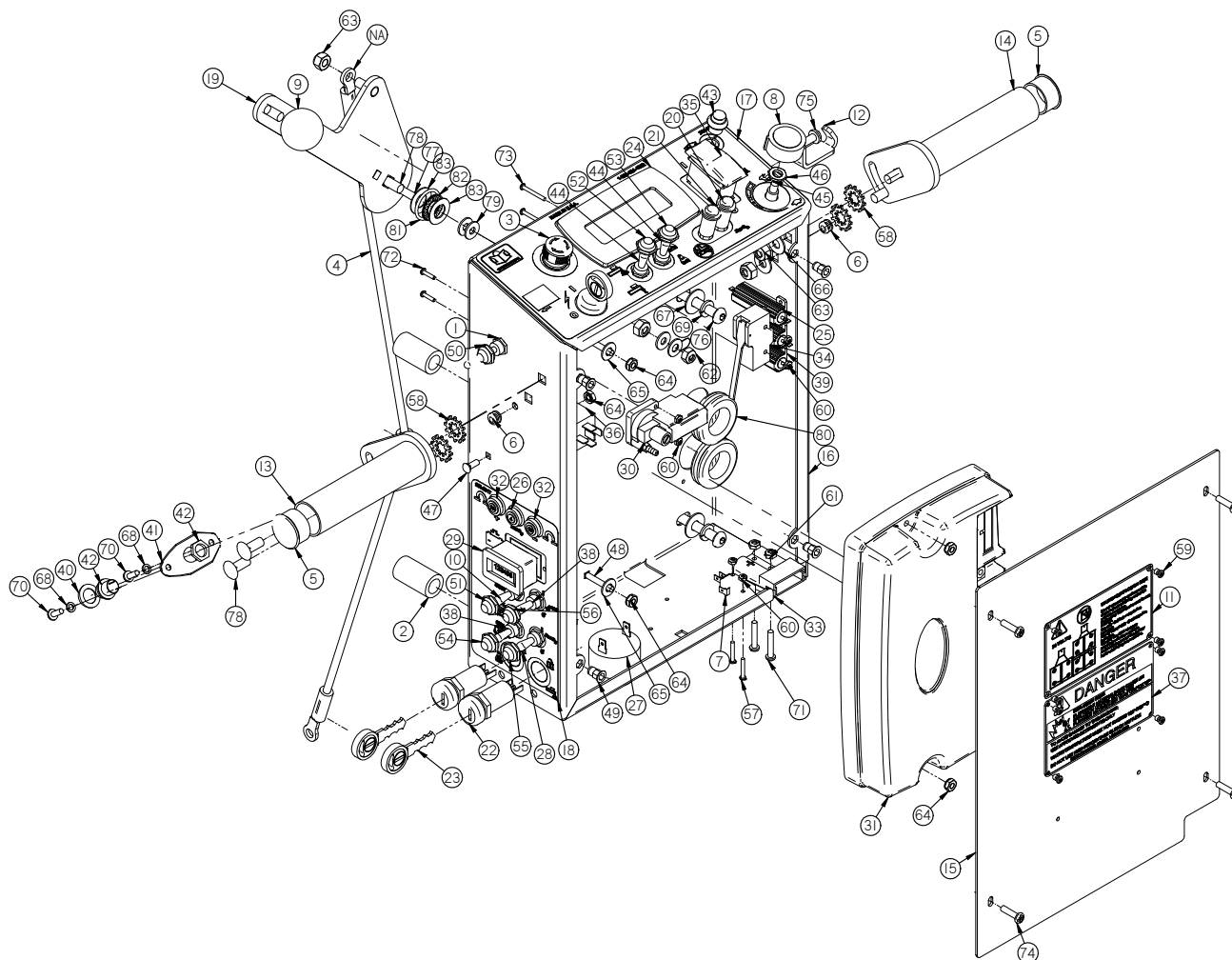
On-Board Charger
(See list below)



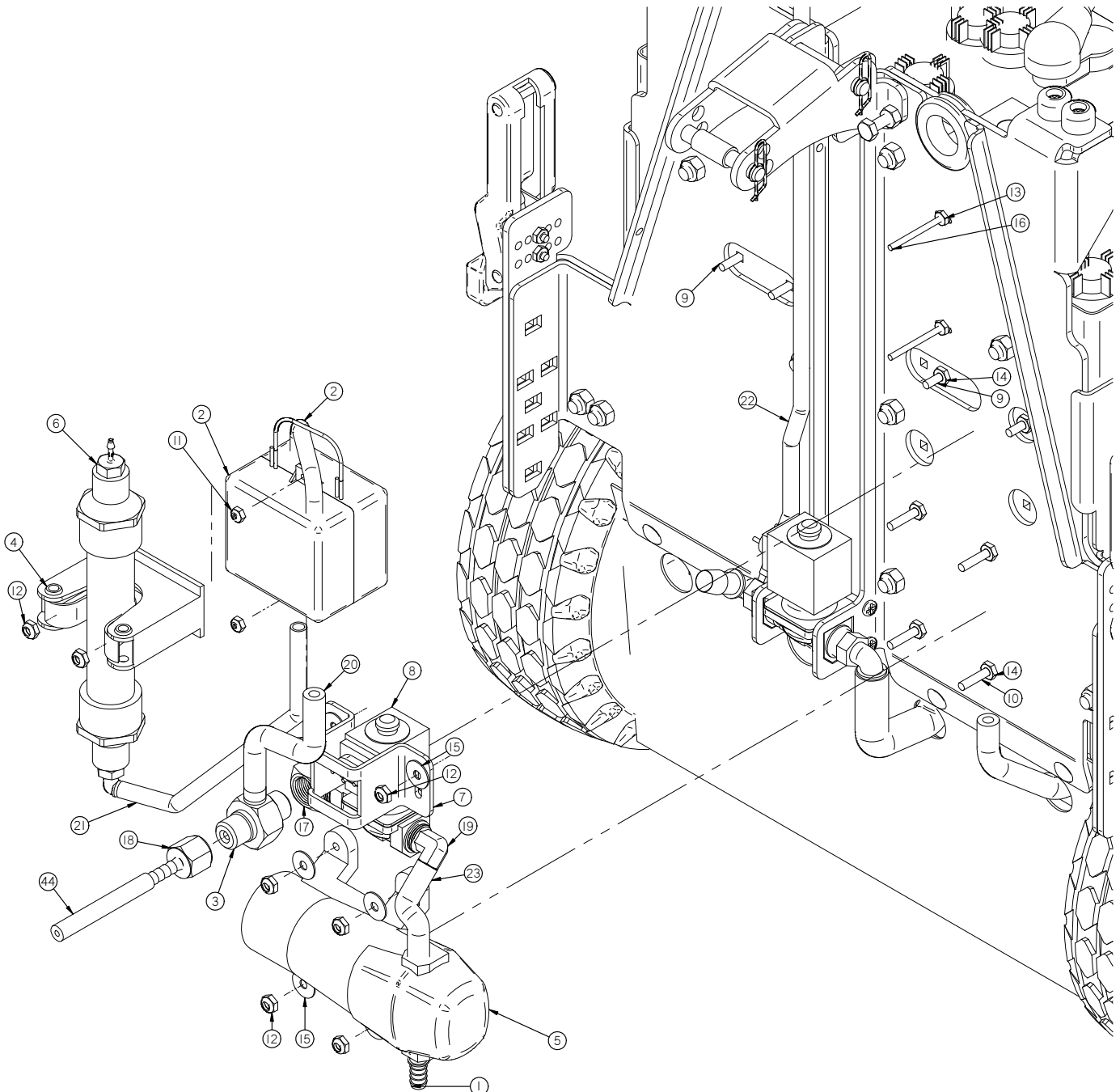
Item	Part No.	Part Description	Qty.
1	175-0000	BATTERY TRAY	1
2	253-1608	BLACK HOSE, 3-1/4" LG	1
3	253-1901	WIRE HARNESS, COMPLETE	1
4	H-40031	BATTERY BOOT	8
5	H-400317	TERMINAL COVER	8
6	M-5031K12	CLAMP STYLE PINCH VALVE	1

WHICH BATTERY CHARGER TO USE WITH BATTERY SELECTION

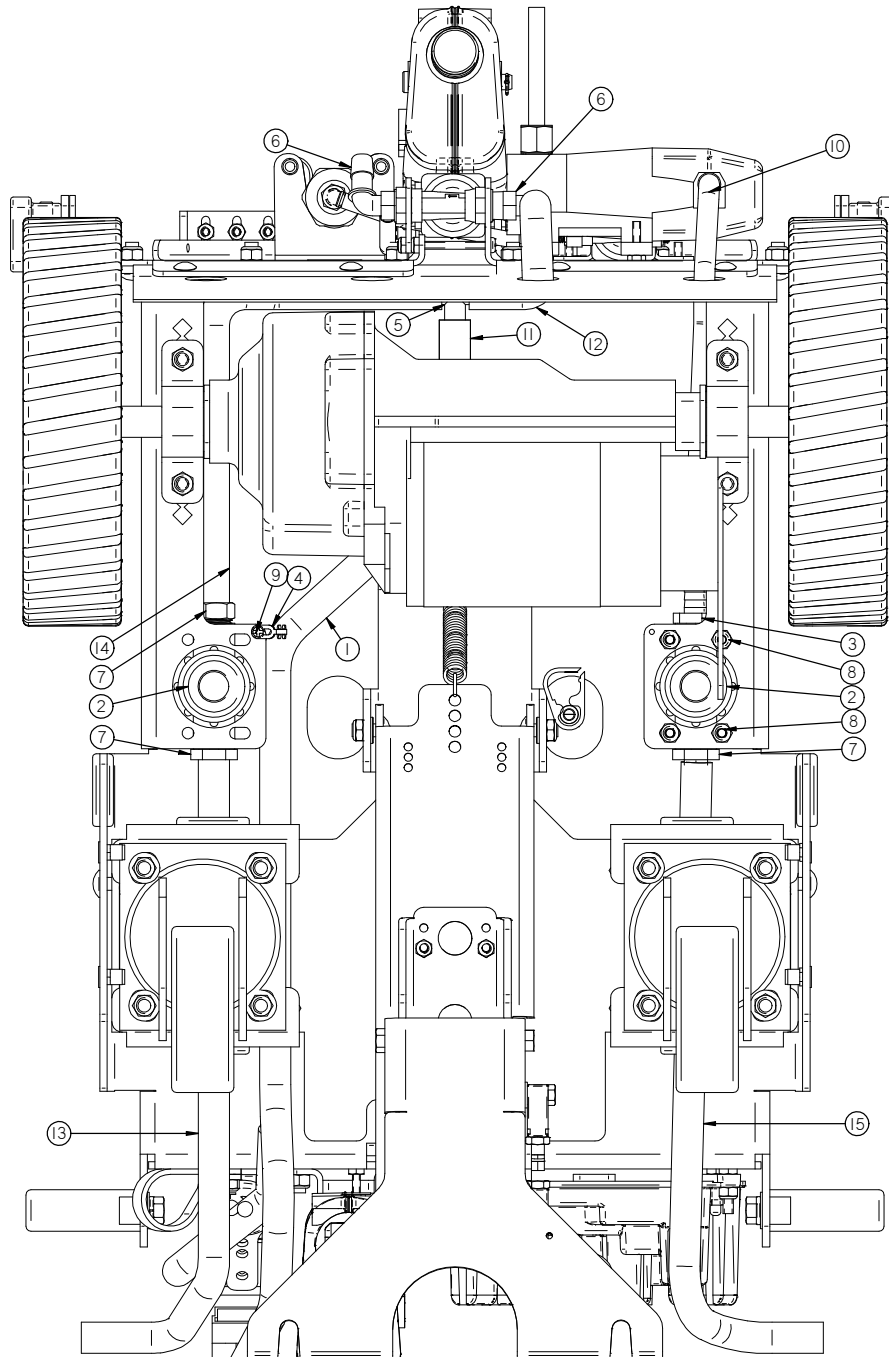
Battery Part Number & Description	Console Charger / North America	Onboard Charger / North America / International
175-2110 (6V / 210AH - WET)	253-2540	175-2460
250-2113 (6V / 240AH - WET)	253-2540	175-2460
250-2120 (6V / 250AH - AGM)	N/A	175-2460



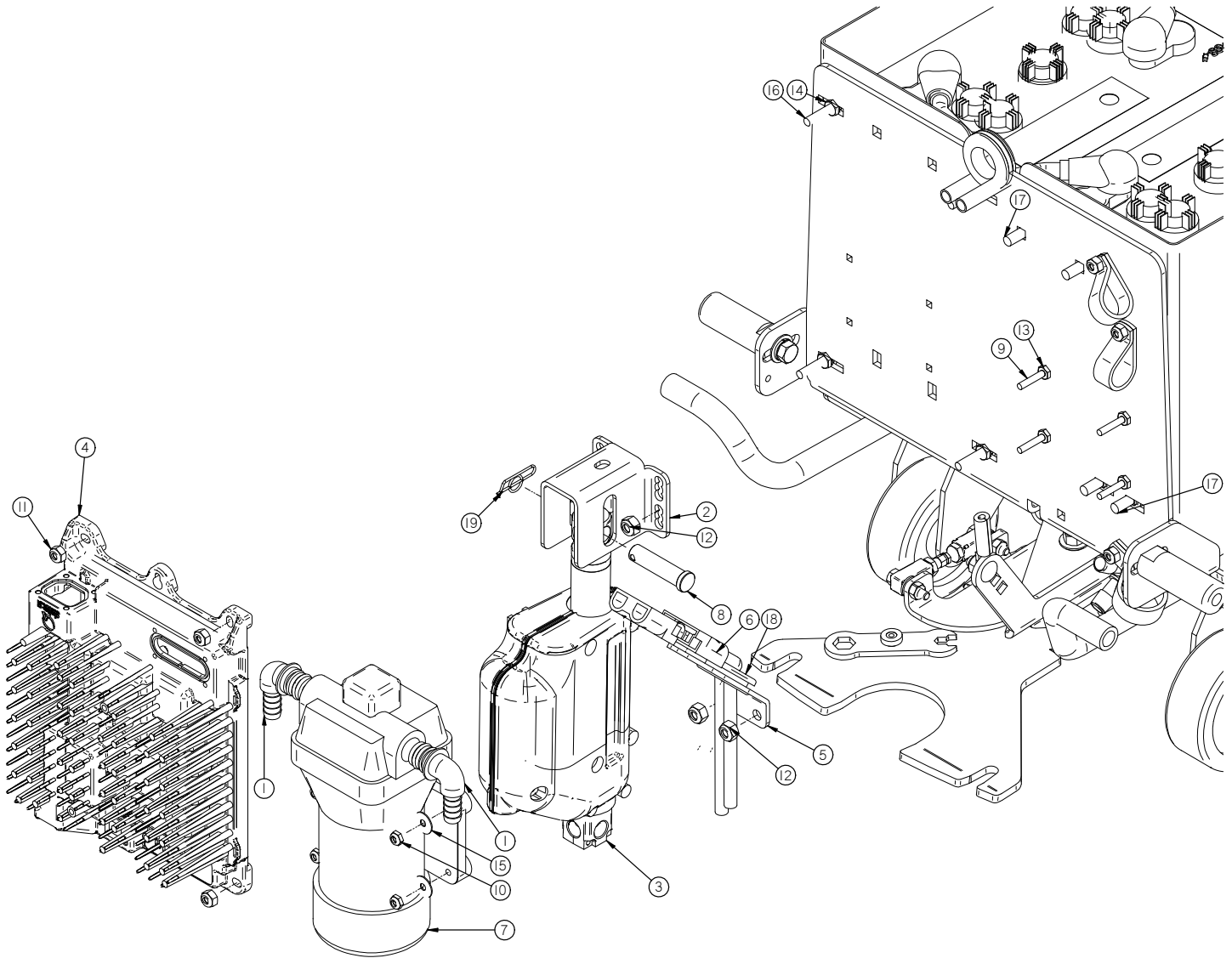
Item	Part No.	Part Description	Qty.	Item	Part No.	Part Description	Qty.
1	150-2830	SWITCH, TOGGLE, MOM/OFF/MOM (DPDT)	1	42	7-229	PUSH BUTTON SWITCH	4
2	170-2700	SPACER, 1-1/2" LG	4	43	7-229D	PUSH BUTTON SWITCH	1
3	175-0300	Emergency stop switch, 5I series, IC/O	1	44	7-283	SWITCH, TOGGLE, MOM/OFF/MOM (DPDT)	2
4	175-7890	SQUEEGEE LIFT CABLE	1	45	7-292	5K POTENTIOMETER	1
5	190-1390	END CAP	2	46	H-0147994	3/8-32 X 1/2 PANEL NUT	1
6	21-2203	GROMMET, RUBBER 3/16 ID X 13/32 OD X 3/32 TH	2	47	H-0172518	CB #10-32 X 1/2" SS	1
7	21-2230	MICRO SWITCH	1	48	H-0172522	CB #10-32 X 1-1/4" SS	2
8	21-4520	SPEED CONTROL KNOB, RED	1	49	H-1032HCN	HCN #10-32	4
9	21-7101	LIFT KNOB	1	50	H-11196	PROTECTIVE BOOT, TOGGLE SWITCH, (RED)	1
10	253-283	SWITCH, TOGGLE, ON/OFF/ON (DPDT)	1	51	H-11198	PROTECTIVE BOOT, TOGGLE SWITCH, (GREEN)	1
11	253-7280	EXPLOSION WARNING PLATE	1	52	H-11199	PROTECTIVE BOOT, TOGGLE SWITCH, (BLUE)	1
12	253-9491	HOOK	1	53	H-11200	PROTECTIVE BOOT, TOGGLE SWITCH, (BLACK)	1
13	264-1290	ADJUSTABLE HANDLE BAR, LEFT	1	54	H-11202	PROTECTIVE BOOT, TOGGLE SWITCH, (ORANGE)	1
14	264-1291	ADJUSTABLE HANDLE BAR, RIGHT	1	55	H-11203	PROTECTIVE BOOT, TOGGLE SWITCH, (PURPLE)	1
15	264-2001	CONTROL PANEL COVER	1	56	H-11205	PROTECTIVE BOOT, TOGGLE SWITCH, (LIGHT BLUE)	1
16	264-2012	CONTROL PANEL BOX, TRACTION	1	57	H-28667	PHP MS 4-40 X 3/4"	2
17	264-2016	MINI MAG TD CONTROL PANEL STICKER	1	58	H-33761	5/16" INT/EXT STAR WASHER	4
18	264-2017	SUDS/SPRAY STICKER	1	59	H-41007	AB4-3A BLIND RIVET	12
19	264-7100	SQUEEGEE LIFT LEVER	1	60	H-70854	NYLOK #4-40 SS	6
20	290-2300	LED LIGHT(BLUE)	1	61	H-70856	NYLOK #8-32 SS	2
21	290-2310	FULL RECOVERY (RED)	2	62	H-70860	NYLOK 1/4"- 20 SS	5
22	290-234	KEY SWITCH (WITH KEY)	3	63	H-70861	NYLOK 5/16" - 18 SS	6
23	290-234A	KEY SET (REPLACE)	3	64	H-70923	KN #10-32 SS	5
24	290-2891	LCD SCREEN	1	65	H-71013	FW 1/4 ID X 5/8 OD SS	3
25	290-9581	RESISTER	1	66	H-71015	FW 5/16 ID X 3/4 OD SS	4
26	349-9604	FUSE, RESETTABLE, 4 AMP, 50V DC MAX	1	67	H-71016	FW 5/16 ID X 7/8 OD SS	4
27	370-2920	ALARM	1	68	H-71059	LW #10, SS	8
28	370-8210	SWITCH, TOGGLE, ON/ON (DPDT)	1	69	H-71065	LW 5/16" SS	4
29	370-8261	CHARGER COUNTER	1	70	H-72398	PPH #8-32 X 1/2" S/S	8
30	390-2328	SWITCH, VACUUM SHUTOFF	1	71	H-72418	PPH #8-32 X 1" S/S	2
31	390-2899	CONTROLLER V4	1	72	H-72486	PPH #4-40 X 1/2" S/S	2
32	390-9615	FUSE, RESETTABLE, 15 AMP, 50V DC MAX	2	73	H-72494	PPH #4-40 X 1" S/S	2
33	4-259	CONNECTOR, RED 50, HOUSING ONLY	1	74	H-72534	PPH #10-32 X 3/4" S/S	4
34	5-223	LIMIT SWITCH	1	75	H-72588	PPH 1/4-20 X 5/8" SS	1
35	5-234	SWITCH, ROCKER, DPDT, ON/ON	1	76	H-73784	BHSCS 5/16-18 X 2.0	4
36	5-293	15 AMP RELAY	1	77	H-74420	CB 1/4"- 20 X 1.0" SS	1
37	5-728	DETERGENT WARNING PLATE	1	78	H-74429	CB 5/16"- 18 X 3/4" SS	5
38	5-892	TOGGLE, ON-OFF, SPST	2	79	H-76061	FW 1/4" NYLON	3
39	650-9581	RESISTER	2	80	H-9307K74	GROMMET, 1" ID X 1-3/4" OD BUNA-N	2
40	7-227	BUTTON COVER	2	81	M-4464T178	NEEDLE ROLLER THRUST BEARING ORING	1
41	7-228	SWITCH MOUNT PLATE	4	82	M-5909K31	NEEDLE ROLLER THRUST BEARING	1
				83	M-5909K44	NEEDLE ROLLER THRUST BEARING WASHER	2



Item	Part No.	Part Description	Qty.
1	I23-1601	3/8 BARBED FITTING	1
2	I23-2334	ZERO GENERATORS	1
3	I23-8510	RED INJECTOR	1
4	I23-8860	HOSE BRACKET HOLDER	1
5	I23-8910	PUMP, WATER JET	1
6	I23-9134	AIR DRYER	1
7	I50-5280	VALVE BRACKET	1
8	I70-4500	24V VALVE	1
9	H-0172520	CB #10-32 X 3/4" SS	2
10	H-0172522	CB #10-32 X 1-1/4" SS	1
11	H-70855	NYLOK #6-32 SS	1
12	H-70858	NYLOK #10-32 SS	3
13	H-70921	KN #6-32	1
14	H-70923	KN #10-32 SS	2
15	H-71010	FW #10 ID X 11/16 OD SS	2
16	H-72393	PPH #6-32 X 2" MS S/S	1
17	M-50785K441	.375 MALE NPT X .375 FEMALE NPT ELBOW 90 DEG	1
18	M-5346K52	.375 NPT X .25 BRASS BARBED HOSE FITTING	1
19	M-53525K18	.375 NPT X .375 BRASS BARBED ELBOW	1
20	T-025CS0600	ZERO HOSE	1
21	T-025CS1200	ZERO HOSE	1
22	T-125C2500	SUDS HOSE	1
23	T-375R0600	ZERO HOSE	1

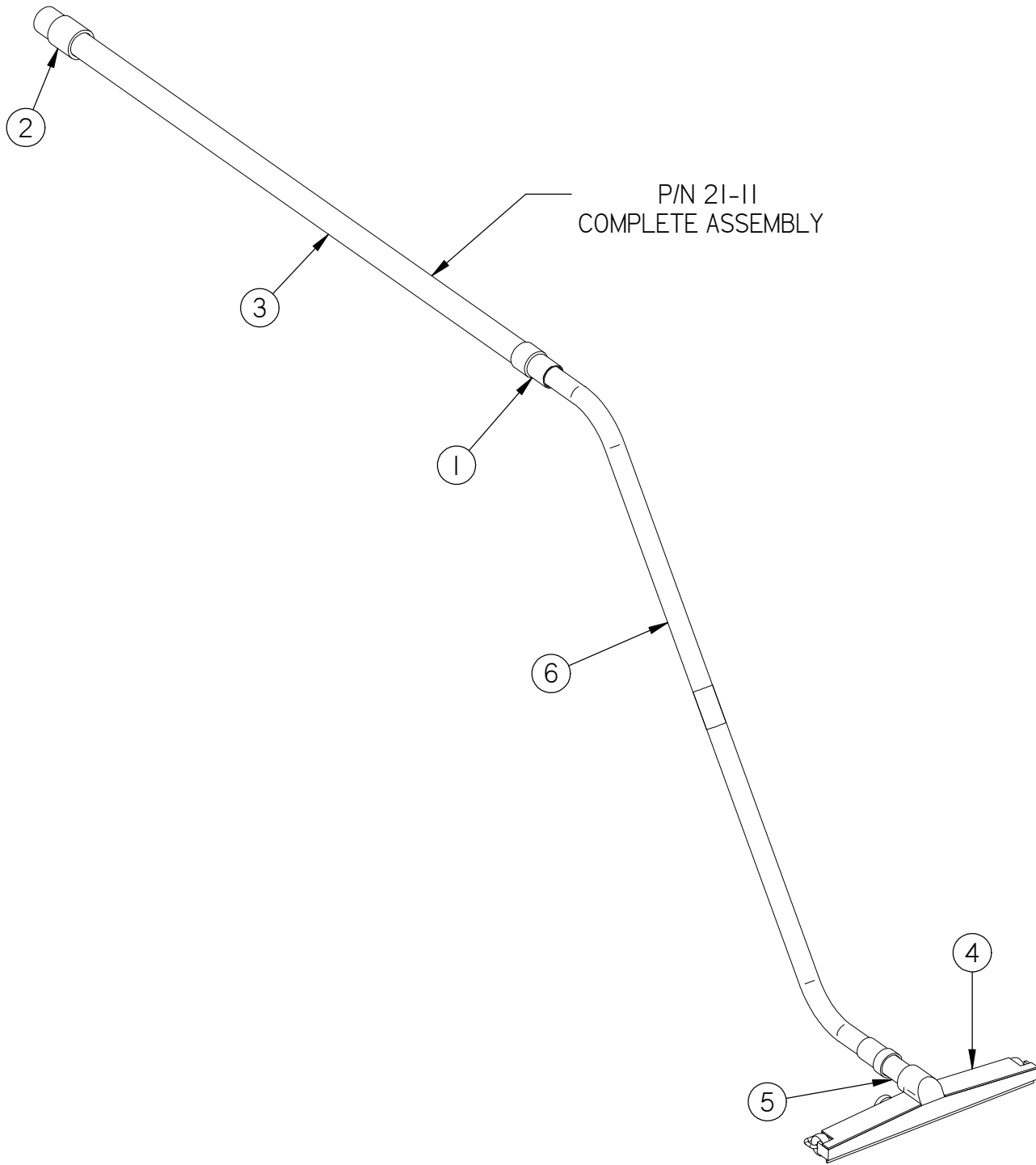


Item	Part No.	Part Description	Qty.
1	175-1370	SIGHT TUBE	1
2	175-9130	INLINE FILTER	2
3	21-1606	1/2 MALE NPT X 1/2" BARB	1
4	253-1618	GROUNDING CHAIN, 12"	1
5	5-446	1/2 " PLASTIC BARB TEE	1
6	H-04763	ELBOW, 90 DEG X 3/8" MNPT X 1/2" BARB, NYLON	2
7	H-04788	.50 NPT X .50 BARB	3
8	H-70860	NYLOK 1/4"- 20 SS	2
9	H-72388	PPH #6-32 X 3/4" SS	1
10	T-025R1200	ZERO HOSE	1
11	T-050R0250	1/2"ID X 27"LG SOLUTION HOSE	1
12	T-050R1450	1/2"ID X 27"LG SOLUTION HOSE	1
13	T-050R2700	1/2"ID X 27"LG SOLUTION HOSE	1
14	T-050R2700	1/2"ID X 27"LG SOLUTION HOSE	1
15	T-050RS1200	ZERO HOSE 08.par	1



Item	Part No.	Part Description	Qty.
1	21-1601	1/2" BARBED ELBOW (PLASTIC)	2
2	253-1099	AUTO SQUEEGEE LIFT BRACKET	1
3	253-2240	2" STROKE 24V ACTUATOR 450 LB LOAD	1
4	264-2440	ONBOARD CHARGER	1
5	264-9516	CHARGER CONTACTOR BRACKET	1
6	4-259	CONNECTOR, RED 50, HOUSING ONLY	1
7	5-891	PUMP, WATER JET	1
8	H-0156771	CLEVIS PIN, 1/2" OD X 2" LG	1
9	H-0172522	CB #10-32 X 1-1/4" SS	1
10	H-70858	NYLOK #10-32 SS	1
11	H-70860	NYLOK 1/4"- 20 SS	1
12	H-70861	NYLOK 5/16" - 18 SS	2
13	H-70923	KN #10-32 SS	1
14	H-70925	KN 1/4-20 S/S	1
15	H-71010	FW #10 ID X 11/16 OD SS	1
16	H-74421	CB 1/4"- 20 X 1-1/4" SS	1
17	H-74429	CB 5/16"- 18 X 3/4" SS	2
18	H-9307K74	GROMMET, 1" ID X 1-3/4" OD BUNA-N	1
19	H-RUE22	1/2" RUE RING COTTER	1

Off-Aisle Vacuum Wand



Item	Part No.	Part Description	Qty.
1	21-4072	HOSE CUFF, 1 1/2"	1
2	290-7212	1-1/2" - 2" HOSE CUFF	1
3	5-883	HOSE	1
4	5-889	VACUUM NOZZLE	1
5	7-884	COUPLER, S/S	1
6	7-887	TWO PIECE CHROME VAC WAND	1

ROUND DISK BRUSHES:

NOTICE

The ## in Disk Column Denotes Desk Pad Size: 13" or 14"

BRUSHES	DISK	LEVEL
Super Grit	##-382SS	Very High
Tough Grit	##-382S	High
Midi Grit	##-382C	Medium
Light Grit	##-382PS	Moderate
Poly	##-382P	Light
Nylon	##-382N	Light
Tampico	##-382T	Light
Pad Driver	##-382D	
Diamond Driver	##-382DD	

ROUND DISK PADS:

NOTICE

The ## in Disk Column Denotes Desk Pad Size: 13" or 14"

DISK PADS	DISK	LEVEL	COLOR
Super Black	##-422BB	Very High	Black
Black	##-422B	High	Black
Brown	##-422BR	High	Brown
Green	##-422G	Medium	Green
Blue	##-422BL	Moderate	Blue
Red	##-422R	Moderate	Red
White	##-422W	Light	White

CYLINDRICAL BRUSHES:

BRUSHES	MODEL 25" CYLINDRICAL	MODEL 29" CYLINDRICAL	LEVEL
Tough Grit	236-697S	276-697S	High
Midi Grit	236-697C	276-697C	Medium
Light Grit	236-697PS	276-697PS	Moderate
Nylon	236-697N	276-697N	Light
Tampico	236-697T	276-697T	Light

EDGE PADS AND SCREENS:

DESCRIPTION	24"×14" SCRUBDECK	28"×14" SCRUBDECK
White Pad	N/A	EDGE-4054
Red Pad	EDGE-2404	EDGE-4053
Blue Pad	EDGE-2403	EDGE-4052
Green Pad	EDGE-2402	EDGE-4051
Black Pad	EDGE-2401	EDGE-4050
White Driver Pad	N/A	EDGE-4058
60 Grit Sand Screen	N/A	EDGE-4059
80 Grit Sand Screen	N/A	EDGE-4060
100 Grit Sand Screen	N/A	EDGE-4061
120 Grit Sand Screen	N/A	EDGE-4062
150 Grit Sand Screen	N/A	EDGE-4063
20 Grit Sand Paper	N/A	
36 Grit Sand Paper	N/A	
60 Grit Sand Paper	N/A	

Common Wear Parts

80 Grit Sand Paper	N/A	N/A
100 Grit Sand Paper	N/A	N/A
400 Grit Diamond Polishing Pad	N/A	EDGE-4013
800 Grit Diamond Polishing Pad	N/A	EDGE-4014
1500 Grit Diamond Polishing Pad	N/A	EDGE-4015
3000 Grit Diamond Polishing Pad	N/A	EDGE-4016
6000 Grit Diamond Polishing Pad	N/A	EDGE-4070
Tile/Grout Renovator Pad	N/A	EDGE-4048
Dominator HD Strip Pad	N/A	EDGE-4055
Maroon ECO Prep Pad	EDGE-2407	EDGE-4056

SQUEEGEE BLADE KITS & COMPLETE SQUEEGEE ASSEMBLIES:

SQUEEGEE SIZE	26" DISK DECKS	24" EDGE DECKS	28" DISK DECKS	28" EDGE DECKS	25" CYL. DECKS	29" CYL. DECKS
36" Squeegee	Standard	Standard	Standard	Standard	Standard	Optional
42" Squeegee	Optional	Optional	Optional	Optional	Optional	Standard

SQUEEGEE SIZE	LINATEX BLADE KIT	GUM RUBBER BLADE KIT	URETHANE BLADE KIT	COMPLETE SQUEEGEE ASSEMBLIES
36" Squeegee	36-770L	36-770G	36-770U	36-7180
42" Squeegee	42-770L	42-770G	42-770U	42-7180

SQUEEGEE MATERIAL:	USED FOR:
LINATEX	Provides best wear and tear resistance. Not designed for use with harsh chemicals.
URETHANE	Provides best resistance when dealing with harsh chemicals, oils, fuels, etc.
GUM	Provides best drying performance on rough/grouted floor types by sealing over irregularities. Short life.

NOTICE

Squeegee blade kits include (1) Rear Blade, (1) Front Blade, and (2) Caster Wheels with hardware.

NOTICE

Squeegee Assemblies (complete) listed above all come with Linatex blades.

NOTICE

Size is stamped into the top of the painted steel squeegee body on all squeegee's.



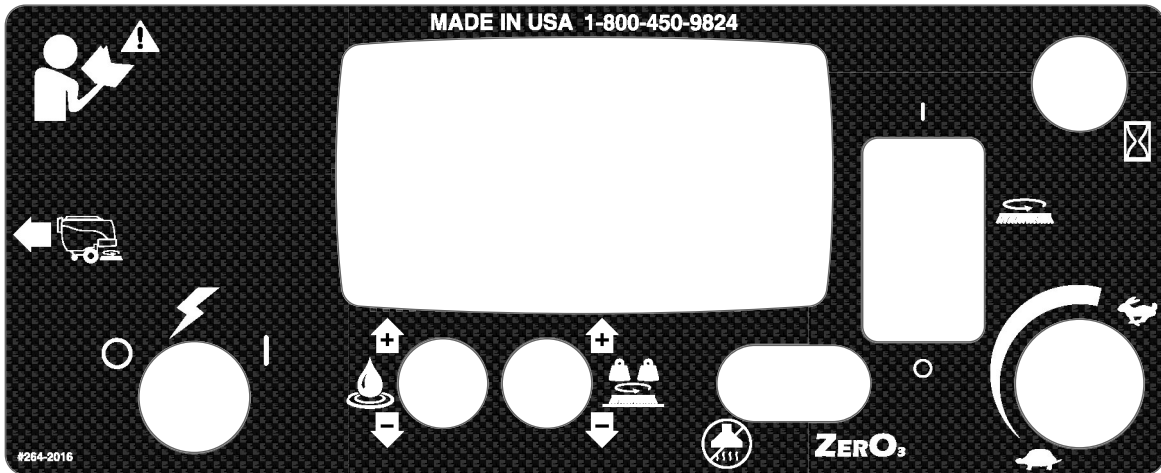


Side Model Sticker - CARBON Part #: 175-1516

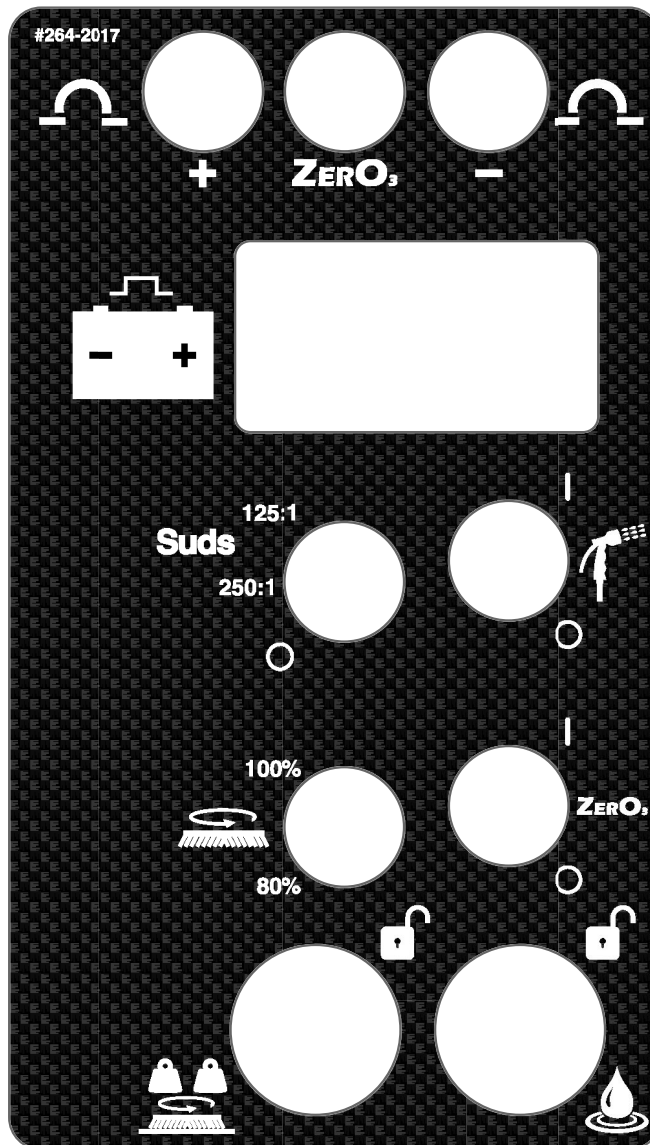


Front Tomcat Sticker Part #: 370-7202

Central Command Stickers



Central Command Sticker - Part #: 264-2016



Central Command Side Sticker - Part #: 264-2017

BLANK
THIS PAGE WAS INTENTIONALLY LEFT BLANK

BLANK
THIS PAGE WAS INTENTIONALLY LEFT BLANK



1711 South Street
Racine, WI 53404
www.tomcatequip.com
Tel. US: 800-450-9824
Tel. Int: (001) 262-681-6470